

HEALTHCARE SYSTEM FOR DETECTING COVID-19

BY

SANZIDA AHMED

ID: 181-15-1833

MOHAMMAD RAKIBUL HASAN

ID: 181-15-1912

MD. IMTIAJ SULTAN TANVIR

ID: 181-15-1954

This report presented in partial fulfillment of the requirements for the degree of Bachelor of Science in Computer Science and Engineering

Supervised by

Ohidujjaman

Assistance Professor

Department of CSE

Daffodil International University

Co-Supervised by

Md. Mahfujur Rahman

Senior lecturer

Department of CSE

Daffodil International University

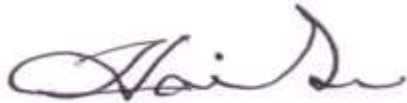


DAFFODIL INTERNATIONAL UNIVERSITY
DHAKA, BANGLADESH
JANUARY 2022

APPROVAL

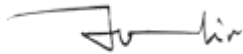
This Project/internship titled “**Healthcare System for Detecting Covid-19**”, submitted by Sanjida Ahmed, ID No: 181-15-1833, Mohammad Rakibul Hasan, ID No: 181-15-1912, Md Imtiaj Sultan Tanvir, ID No: 181-15-1954 to the Department of Computer Science and Engineering, Daffodil International University has been accepted as satisfactory for the partial fulfillment of the requirements for the degree of B.Sc. in Computer Science and Engineering and approved as to its style and contents. The presentation has been held on 18.01.2022.

BOARD OF EXAMINERS



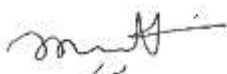
Sheak Rashed Haider Noori
Associate Professor
Department of Computer Science and Engineering
Daffodil International University

Internal Examiner



Ohidujjaman
Assistant Professor
Department of Computer Science and Engineering
Faculty of Science & Information Technology
Daffodil International University

Internal Examiner



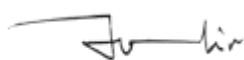
Dr. Mohammad Shorif Uddin
Professor
Department of Computer Science and Engineering
Jahangirnagar University

External Examiner

DECLARATION

We hereby declare that this project has been done by us under the supervision of Ohidujjaman, Assistant Professor, Department of CSE at Daffodil International University. We also declare that neither this project or any part of this project has been submitted elsewhere for award of any degree or diploma.

Supervised By:



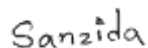
Ohidujjaman
Assistant Professor
Department of CSE
Daffodil International University

Co-Supervised by:



Md. Mahfujur Rahman
Lecturer
Department of CSE
Daffodil International University

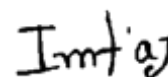
Submitted by:



Sanzida Ahmed
ID:181-15-1833
Department of CSE
Daffodil International
University



**Mohammad Rakibul
Hasan**
ID:181-15-1912
Department of CSE
Daffodil International
University



**Md Imtiaz Sultan
Tanvir**
ID:181-15-1954
Department of CSE
Daffodil International
University

ACKNOWLEDGEMENT

We are very grateful to our Supervisor Ohidujjaman, Assistant Professor of Daffodil International University and Co-supervisor, Md. Mahfujur Rahman, Lecturer of Daffodil International University. Behind this project, we had to deal with some implementation issues, the encouragement and guidance of our supervisors in those moments was truly unparalleled. Their excellent scholarly guidance and encouragement and enthusiastic supervision have made the completion of this project possible. It would not have been possible without their endless cooperation. We are very grateful to our supervisors for his in-depth knowledge of IoT, who encourages us and helped us with many related issues. We truly thank Daffodil International University's Project Committee for giving us the opportunity to pursue this project. Finally, and most importantly, our hearts are grateful for this blessing of God Almighty. And a lot of respect for our parents for their heartfelt support.

ABSTRACT

The corona virus infection has become a global pandemic for its contactless spreading . Experts think that it may need several years to be totally cure with this virus becoming entirely eliminated. Numerous nations can see that working with this disease is incredibly tough, and that their health-care infrastructure is insufficient to offer health care services getting in contract. Corona viruses are a definite group of viruses that cause colds, SARS, and Middle East Respiratory Syndrome (MERS) . There aren't any specific treatments for the illness. The entire world is currently trying to prevent the scatter regarding the virus by raising understanding and lock downs which are implementing around the world. Everyone was instructed to place on a mask and use hand sanitizer. Vaccine trials are not approved for public usage. This disease is viewed as one of the more hazardous in the world. The vaccines which can be ultimate combat illness that is dissemination quicker tend to be yet is developed. Additionally, the outcomes of this test that is covid19 use up to 48 hours to arrive. Reverse transcription polymerase sequence effect (RT-PCR) or test this is certainly antigen the most widely utilized testing practices, alternatively, contract tracing can be used, however the number of instances is fixed. Because it is essential to recognize this virus as soon as possible. These tasks are according to diagnosing the disorder of covid19 affected pepole. IoT device is used to evaluate real-time patient monitoring information. This monitoring is IoT-based which can record important signs like heartbeat, Sop2, heat, and coughing detection, these are the typical symptoms of those who will be impacted. This IoT unit works closely with WIFI to transport data to many other locations where it could be examined and visualized. This IoT device shall enable doctors to monitor patient and see the results without physically touch them. The advantage of this device is rule-based. The guideline can be altered as new information becomes available. The machine will be more effective while we use algorithms like : k-nearest next-door neighbor (K-NN), support vector device, logistic regression, decision tree, and random forest in future. It is hoped that the monitoring equipment shall simply be able to offer an initial diagnostic, and this simulation outcome will prove the efficiency of the suggested disease detection technique.

Keyword: Infection Detection, Monitoring and Tracing, Smart iot, Covid19 Detection, Coronavirus Detection, smart health device , covid-19 monitoring .

TABLE OF CONTENTS

CONTENTS	PAGE
Board of Examiners	i
Declaration	ii
Acknowledgement	iii
Abstract	iv
CHAPTER	
CHAPTER 1: INTRODUCTION	
1.1 Introduction	1
1.2 Motivation	2
1.3 Objective	2-4
1.4 Layout of Report	4
CHAPTER 2: BACKGROUND	
2.1 Introduction	5
2.2 Related Works	5-6
2.3 Comparison between studies	6-7
2.4 Scope of the problem	7-8
2.5 Challenges	8
CHAPTER 3: REQUIREMENT SPECIFICATION	
3.1 Introduction	9
3.2 Requirements	9
3.3 Process Diagram	10

3.4 Circuit Diagram	11
3.4.1 Temperature sensor (LM35)	11
3.4.2 Pulse oximeter & BPU sensor (MAX30100):	11
3.4.3 Circuit diagram of Accelerometer (GY-87)	12
3.4.4 Circuit diagram of NodeMCU	13
3.5 Flow chart	14
3.6 Block Diagram	
3.6.1 Block Diagram of Application	15
3.6.2 Temperature sensor (LM35):	15
3.6.3 Block diagram of Pulse oximeter & BPU sensor (MAX30100)	16
3.6.4 Block diagram of Accelerometer (GY 87)	16
3.6.5 Block Diagram of NodeMCU	17
3.7 Algorithm	17-18
3.8 Descriptions of Sensor	
3.8.1 NodeMCU	18-19
3.8.2. Temperature sensor (LM35)	20-21
3.8.3 Pulse oximeter and BPU sensor (MAX30100)	21-23
3.8.4 Accelerometer (MPU9265)	23-24
3.8.5 Breadboard	25
3.8.6 Jumper Wires	25
3.8.7 Display	26
3.8.8 I2C Serial Interface Adapter	26
3.8.9 Battery	27
3.9 Descriptions List of Sensor	27

CHAPTER 4: PROGRAM COMPILATION	
4.1 The Rule-Based Analysis of COVID-19	28
4.2 Code of IoT device	28-29
4.3 Code Review	30-36
4.3.1 Main Program	36-37
4.3.2 Blynk Setup	37-38
CHAPTER 5: EXECUTION AND TESTING	
5.1 Execution of Health IOT device	39
5.2 Execution of Application	40
CHAPTER 6 : LIMITATION AND FUTURE SCOPE	
6.1 Limitation	41-42
6.2 Future Work	42
CHAPTER 7: CONCLUSION	
7.1 Conclusion	43
REFERENCES	

LIST OF FIGURES

Fig 3.3: Process Diagram
Fig 3.4.1: Circuit diagram of Temperature sensor (LM35)
Fig 3.4.2: Circuit diagram of Pulse oximeter & BPU sensor (MAX30100)
Fig 3.4.3: Circuit diagram of Accelerometer (GY-87)
Fig 3.4.4: Circuit diagram of NodeMCU
Fig 3.5: Flow Chart
Fig 3.6.1: Block diagram of IOT Application
Fig 3.6.2: Block diagram of Temperature (LM35)
Fig 3.6.3: Block diagram of Pulse oximeter & BPU sensor (MAX30100)
Fig 3.6.4: Block diagram of Accelerometer (GY 87)
Fig 3.6.5: Block diagram of Pulse oximeter & BPU sensor (MAX30100)
Fig 3.8.1: NodeMCU
Fig 3.8.2: Temperature sensor (LM35)
Fig 3.8.3: Pulse oximeter & BPU sensor (MAX30100)
Fig 3.8.4: Accelerometer (MPU9265)
Fig 3.8.5: Breadboard
Fig 3.8.6: Jumper Wire
Fig 3.8.7: Display
Fig 3.8.8: I2C Serial Interface Adapter
Fig 3.8.9: Battery
Fig 4.3.2: Blynk Application Interface-1
Fig 4.3.3 : Blynk Application Interface-2
Fig 4.3.2: Blynk Application Interface-3
Fig 5.1: Healthcare System for Detecting Covid-19
Fig 5.2: Healthcare System for Detecting Covid19 Static view

CHAPTER 1

INTRODUCTION

1.1 Introduction

It is really concern of that Covid19 virus rapidly infecting humans body. Corona virus type SARS-2. This virus is certainly new and for the reason the condition is not formerly understood. This affected number might increase now and it might become a long-term problem. So far, the pandemic that is COVID-19 scattered worldwide. As being a complete result of close to 2.6 million people affected and 117 million cases worldwide up to now. COVID-19 is spread through nasal breathing droplets. When a person who is sick, sneezes or speaks, these droplets fall and do not travel distances which are very long. Instead, they fall quickly to the surfaces. Consequently, it is crucial we remain at least one meter away from other people. These droplets are obtainable on things or on surface areas around unwell individual (tables, door handle, etc) and then touches their particular eyes, nose, or lips. If somebody touches these objects or surfaces, they get infected by the virus. Contamination as well as the start of the observable symptoms that are initially often three to five days. Nonetheless, in a few complete cases, it can endure up to a fortnight. A person is transmittable: the first symptoms they may carry earlier to the appearance of this virus in those times. Like other viruses which are popular diseases have been identified by some scientists and researchers. Signs that may produce a person contaminated with the most frequent symptoms of COVID-19 include, fever, dry coughing, and exhaustion. Other less common symptoms, such wheezing and discomfort, nasal obstruction, headache, arthritis, sore throat, could potentially cause diarrhoea, lack of style or smell and rash or stain of fingers or toes. These symptoms, which appear gradually, are usually mild but some patients encounter really signs which are cautious. As we can see, scientists have not diagnosed the actual signs of this disease so far. Deciding on all the elements which make it tough to diagnose and trouble in managing it due to its spread without getting in contact to the patient environment. It is crucial to discover a solution to identify the presence of the virus using non-invasive and remote methods with reduced participation. This is certainly medical focus on using blood samples or diligent saliva using present option brooms. Making use of x-ray that is utilizing associated with the lung area. As a result of immediate chance of disease this can be a remote option for detection that is highly desirable among the solutions to use low priced devices which are medically distributed to every possible area. They may be discarded after use to avoid scatter that is possible of virus from one person to another. Into the appropriate work, we explain some efforts in this way, plus in extension of previous such efforts, we devised a much better method of assessment with the outcome that is most recent of this illness.

IoT

IoT is the Internet of Things as hardware products which are embedded with detectors or computer software or related technologies for connecting and share data with one another through the Internet. Very first, they ended up being independently called by Kevin Ashton of & Gamble in 1999 while the concept was about radio-frequency recognition, allowing it to get in touch to another product. Later, in the years between 2008 and 2009, the Internet of Things developed by having a feature that is appropriate links the Internet to other devices. It's continuously growing. Today, this is being utilized in many essential areas such as agriculture, smart residence, senior attention, medical and health care, transportation, building and residence automation, environmental monitoring, military programs, etc. Therefore, in this project, technology will undoubtedly be associated with the device this is certainly medical help our Health treatment. continuation of previous such efforts, we devised a better method of screening using the latest Outcome of the disease.

1.2 Motivation

Because the world fights the epidemic that is COVID-19 has contaminated. Because significantly more than 11 million individuals and much more than half of a million attempts take the rise, with deaths global. Researchers discover quick answers to management this is certainly efficient of spread associated with the virus. Health-based IoT keeps growing rapidly. Be the election this is certainly following strategy WHO tips on personal distance and track or trace procedures for disease. Consequently, development, version, and lastly the advancement of the IoT framework or infrastructure anticipate e-health. Therefore, the necessity is observed by us to put together a write-up reviewing IoT efforts such as the combat viruses and pidemics Associated Challenges. An over-all is also required. Telecommunicate the symptoms and trigger the alarm by having a breakdown. Crucial dimensions, remote visits and consultations between patients and doctors or two physicians, as well as remote surgery in emergencies, are performed while keeping length that is personal. Various other supporting technologies also subscribe to the many aspects of dealing with the situation this is certainly COVID-19. Foresight from the advancement that is last of technologies. Supplies a international epidemic for technical difficulties. Research has been on the rise because the beginning of 2020. IoT-based execution toward fight COVID-19 and the cause of this research is connect these specific things being appearing. Provides insights on IoT technologies and expected results. In the field of IoT implementation. Based on the day and up to your most readily useful of our understanding, nobody is extensive. The paper specifically covers how a pugilative war against the world Influencing the advancement of a epidemic like COVID-19 with Healthcare IoT (H-IoT) technologies.

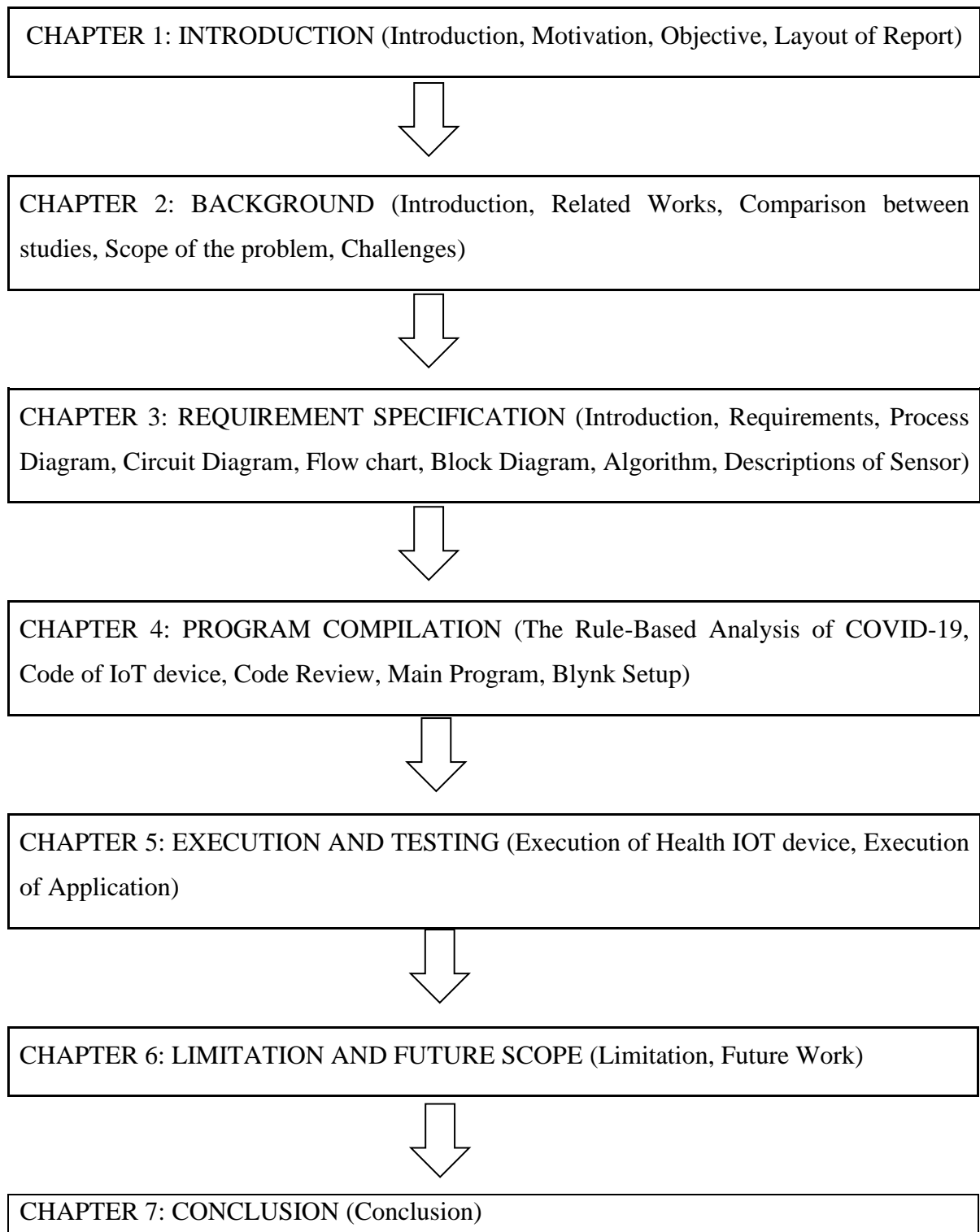
1.3 Objective

Important steps to deal with COVID-19 include screening for symptoms, quarantine and treatment of infected men and women, and taking precautions to prevent spread that is more of disease. The 2 fundamental the easiest way of testing for COVID-19 disease recommended by the WHO include reach recognition (recognition of men and women with an exposure

record) and trials which are medical. Scientific tests can be carried out in two defined but techniques are reliable. WHO-based molecular examinations have suggested acid this is certainly nucleic examinations (NAAT) (whom, 2020e) and serological tests that identify the current presence of anti-bodies in a individual's blood under scientific tests (Hahn, 2020). Nevertheless, serological examinations in the early days of bodybuilding antibodies fail to detect the condition. The WHO has listed some efficient cautionary actions that may reduce the chances of being contaminated or hurt during the time of creating, there is absolutely no definitive cure or vaccine to battle corona virus. In the lack of dependable treatment or vaccines. The main of included in these are cleansing arms frequently with liquid, soap or sanitizer, exercising length that is social living indoors in a regular environment, without cleaning arms, eyes, nose. And steer clear of coming in contact with the mouth, disinfect surfaces that tend to be frequently coming in contact with address the face. Coughing / sneezing and putting on a real breathing apparatus (WHO, 2020c). Infectious diseases such as COVID-19 have always been tough to control due to transmission this is certainly personal-to-man. Another reason is the fact that someone who is a provider associated with the virus may show no symptoms for up to 14 days (that is the care period of the virus), during which time he is able to send the herpes virus to a quantity this is certainly large of. Based on the facilities for Disease Control and Prevention (CDC), the way that is the best to control the condition is always to keep a safe personal distance (Armitage and Sapphire, 2020). Separation of identified cases was identified as another method this is certainly major controlling the scatter of their connections. Therefore, pretty much all nations have implemented total or lockdown that is partial slow down preventing the spread of Code-19. Digital technologies are assisting governments and folks keep personal distance by providing tools such as for example Zoom / Microsoft groups for online education and work, Facebook / Facebook tools for internet-based communication with friends (Armitage). And Neelums, 2020), and video streaming solutions such as for instance Netflix for entertainment. At the same time, lots of technologies have actually emerged to mitigate the effects of COVID-19, particularly the Internet of Things (IoT), artificial intelligence (AI), blockchain as well as the generation this is certainly next. Communication networks such 5G, beyond 5G (Ting et al., 2020). For instance, IoT can provide efficient solutions of remote health automation and monitoring of services that can meet the needs of personal length. AI can assist in infection surveillance, risk prediction, clinical diagnosis and evaluating, virus modeling and analysis, number identification, effective COVID-19 epidemiological crisis management steps and therapy research. (Garza, 2020). Having said that, blockchain technology is increasingly testing and stating, recording patient details, handling implementation, allowing incentive volunteer involvement and safe donation platforms, and limiting offer sequence barriers during pidemics. Can play an part that is important Alla di et al., 2019). In addition, with other suitable technologies such as for example IoT and AI, 5G system health care industry with thermic imaging for remote real-time diagnosis of patients with Picture Archiving and communications Systems (PACS), COVID-19. May also enable with basic control. And monitoring platforms for integrating telemedicine that is ioT-based robots, drones and health sensing programs (Huawei, 2020). IoT is going to change our everyday lives within the next few years and may show to be a weapon that is essential combating pidemics while maintaining social distance

and self-quarantine principles. It must simply take many years to get rid of the epidemic that is COVID-19. Critical IoT or IoT linked to health is known as Internet of Medical Things (IoMT). With IoMT, incorporating all sorts of medical devices such smart wearables, smart thermometers etc. and applications to control all of them, you can develop personalized wellness plans, vital to the in-patient's human anatomy

. 1.4 Layout of Report



CHAPTER 2

BACKGROUND

2.1 Introduction

Thousands of people are dying as a result of Covid19. Many problems have been created in their lives. The first thing we need to do to survive from this is to detect Covid19. This project is our continuation. Projected with IOT based. Our main purpose is not to detect the Covid19. Through identification we can succeed in taking the next step. Covid19 will be able to understand the next time a person is infected with a new virus through this project.

Various sensors have been used. Every code has been worked with each sensor. This is a simple and good way to detect corona. We can easily detect Corona Virus through check-ups of temperature, blood pressure etc. IOT related work has been done in the whole project. The main purpose of corona detection is to benefit people.

2.2 Related Works

Before we reveal simple tips to identify and screen COVID-19, let's distinguish between this virus and the influenza virus. Differences in signs and symptoms regarding the this is certainly newSARS-CoV-2) and influenza. The outward symptoms associated with the two viruses are often the exact same, such fever, cough, stress, muscle mass aches, and tiredness. As an example, whenever a person is suffering from one of many two. A temperature is had by him. Nonetheless, the flu that is common is uncommon. In addition to that is brand new strong in the client and might be connected with vomiting and . Similarly, muscle tissue and tiredness aches, but they are notably moderate. Extreme in people who have influenza as well as in customers with COVID-19. The growth in a influenza this is certainly regular is gradual over time with one of the later symptoms, while this occurs. At the beginning of a patient infected using the that is brand-new. The corona that is brand-new does not cause nasal obstruction or runny nostrils in this specific, whilst the symptom sometimes happens in influenza clients and vanishes within just a few days. Although problems can be quite a symptom that is common of diseases. It is unusual and easy. Persistent and powerful in case there is influenza and COVID-19. The same structure relates to the common cold they've been most common in clients with the corona virus because they are rare for the individual utilizing the common flu, but. But, although sneezing and throats being sore more severe in clients with persistent influenza, these are typically less common in people with COVID-19. Cough is common in 2

kinds of clients. However, having a person is nevertheless beyond the get to of the individual this is certainly average. When you look at the complete case of regular influenza, it's accelerated by saliva, whereas in the case of COVID-19, its accelerated without saliva. A person contaminated with all the brand-new corona virus essentially suffers from a infection that is severe. The pain sensation that is latter moderate and uncommon in clients with common influenza. Chest heaviness and discomfort are normal apparent symptoms of two diseases. In reality, they truly are mild to moderate in flu patients, as they tend to be powerful and extreme in COVID-19 clients. The outward symptoms and extent associated with flu can differ according to the person's health and age. The primary symptoms tend to be abrupt fever, sudden coughing, sore throat, muscle or pain, between 39 Celsius and 40 Celsius (102 Fahrenheit and 104 Fahrenheit), severe tiredness and frustration. Symptoms may include nausea, vomiting, , and pain this is certainly stomach. These signs tend to be more typical in kids. Older grownups may occasionally feel poor and puzzled without various other signs. Therefore, while influenza and corona virus have numerous common symptoms, we could use a subset that is small of symptoms, which may indicate that a person is more likely to be infected with all the corona virus. - Based on the literature study, our hypothesis is the fact that identification among these few signs might be made use of being a corona virus testing this is certainly quick.

2.3 Comparison between studies

Unprecedented intensity and speed of which epidemic that is COVID-19 spreading in humans. Interestingly the epidemic has actually really taken the healthcare that is modern-day around the world, revealing the cunning, relevance, flexibility, and selflessness of health and important employees around the globe. Sadly, there are many workers which are health care. More than anyone else exposed and contaminated with all the corona virus and has one of several mortality prices which are greatest. More than ever, we need the help this is certainly combined of technologies, telemedicine. Systems, medical methods that are robotic diagnostic and surveillance systems within our fight against the AI corona virus. They are able to additionally behave as a layer that is fast of between. Healthcare employees and patients which are contaminated. As smart phones and watches which can be wise frequent products nowadays, they could be widely used as both side sensors and IoT gateways. Health monitoring. Some articles have actually mentioned many things such as ECG price evaluating, X-ray examination of the lung area for positive or monitoring this is certainly bad EEG, ECG,

and the body temperature when it comes to person's problem, etc. But try to look for a tool here this is certainly cost that is reduced has accuracy price recognition higher.

2.4 Scope of the Problem

Neuro-scientific digital technology, there's been cooperation this is certainly quick the fight against COVID-19, and comprehensive surveys are often being offered on the subject.

However, research is needed in specific from the IoT's contribution to fight, the challenges it deals with, and its particular fruitful evolution. Policies in connection with significance of personal distance on IoT information collection have actually influenced IoT that is various execution. Due to the nature this is certainly contagious of.

IoT managers look for different honest and effective way of deploying sensors. Secure IoT product communication protocols are also likely to protect user privacy and keep maintaining system integrity. Therefore, these different partnerships must be reviewed and research that is potential identified. Additionally, when such a extensive research issue is solved, it answers concerns such as for example just how has IoT already been used to combat COVID-19? Exactly how performed IoT develop through the epidemic this is certainly pre-COVID-19? And do you know the prospects for IoT in battling virus that is global such as COVID-19? The IoT study neighborhood, that has been assigned with tackling the herpes virus that is worldwide, could successfully benefit from the elements under conversation such research. Therefore, this short article offers an in-depth study of specific implementation that is IoT-based to combat COVID-19 and also assess past global epidemic battles. It explores the contributions being numerous IoT researchers tend to be making to monitoring and detecting attacks and reducing the spread of viruses. This is followed closely by the difficulties that are connected consequently the evolution of IoT. Here is a summary.

1) we offer a summary of the H-IoT implementation framework specifically targeted at mitigating the consequences of worldwide epidemics being viral. The framework outlines various areas of epidemic condition management that especially need H-IoT solutions.

2) We describe several executions this is certainly h-IoT to combat a global pandemic, which we subdivide based on purpose and form. Then an ecosystem is explained by us for IoT-based COVID-19.

3) We review the challenges of H-IoT-focused epidemics by comparing implementation strategies before and through the wellness epidemic this is certainly international. According to this comparison, we draw conclusions. The evolution of healthcare IoT.

4) Finally, we identify on such basis as advancement, in combating future H-IoT trends as well as in tackling health that is worldwide such as COVID-19.

2.5 Challenges

We all have to stand up against Covid19. We all have to move forward in one way or another. Identifying Covid19 is the most important thing. Because Corona Virus can affect many more people than infected people. We can try to identify Covid19 separately. We have tried to benefit the common man. We will be able to understand the condition of a person's body next time. This is our attempt to identify Covid19. We have had to face many problems while doing this project. We have done IOT related work. We have run the program here. Our main job is not to identify and benefit the common people. In our project we have used an IOT sensor. We have to face many challenges. Our first job is to work through projects. There are many problems to be faced while doing every task. There are program problems and project sensor problems. Finally, I have succeeded in overcoming maximum of the challenges.

CHAPTER 3

REQUIREMENT SPECIFICATION

3.1 Introduction

In this system requirement and methodology chapter, we will try to discuss our approach system's hardware devices, methodology and data process parts with diagram of circuit and block. All the sensor are connected with each other in different pin and virtual pin.

3.2 Requirements

There is list of all requirement hardware and application interface

- i. NodeMCU (ESP8266)
- ii. Temperature sensor (LM35)
- iii. Pulse Oximeter (Max30100)
- iv. BPU Sensor (Max30100)
- v. Accelerometer (MPU9260)
- vi. Breadboard
- vii. Jumper wires
- viii. Display
- ix. I2C Serial Interface Adapter
- x. Battery
- xi. Android Phone

3.3 Process Diagram

In this circuit diagram the whole process is describe all sensor are connected together with two nodemcu the sensor Pulse oximeter & BPU are connected nodemcu-1 in digital pin D1 and d2 respectively SCL and SDA. The temperature sensor V out are connected with analog pin A0. I2C Serial interface adapter connected with SCL and SDA. Another nodemcu-2 connected with Oximeter Digital pin D1 and D2 respectively connected with SCL and SDA. All the sensor are connected in VIN, VCC and Ground (GND).

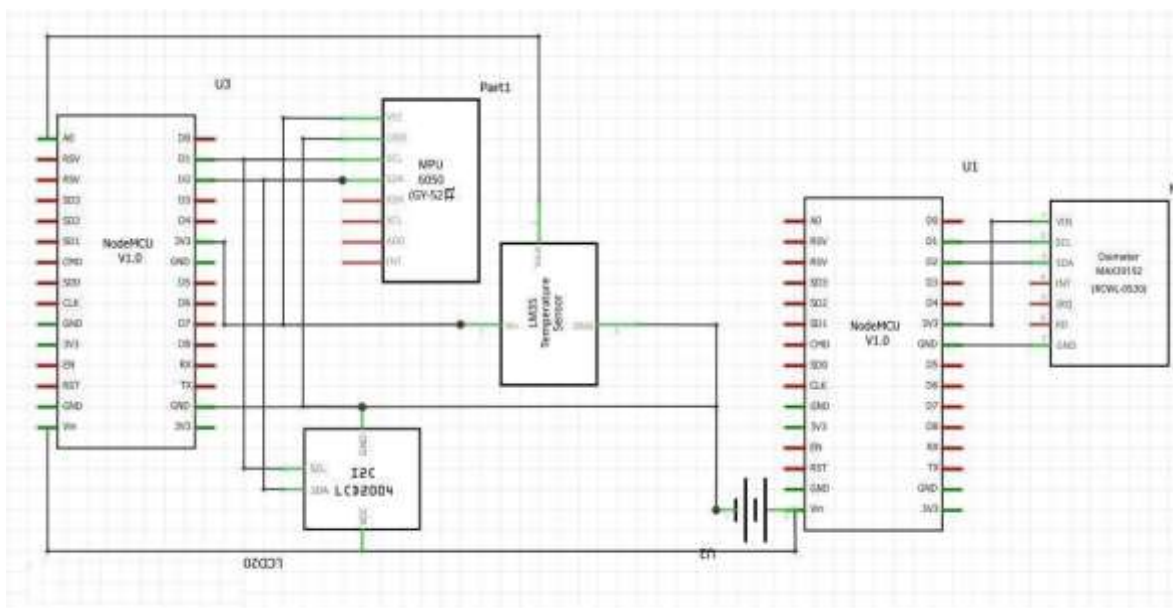


Fig. 3.3: Process Diagram

3.4 Circuit Diagram

3.4.1 Temperature sensor (LM35)

This is the Circuit diagram of temperature sensor LM35. The block describes the working functionality of sensor.

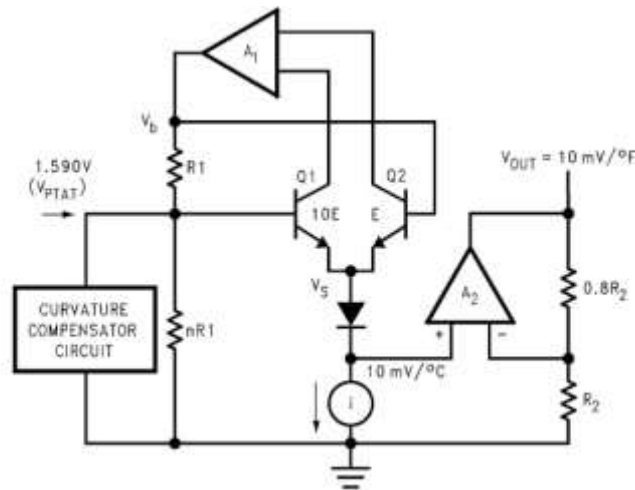


Fig. 3.4.1: Circuit diagram of Temperature sensor (LM35)

3.4.2 Pulse oximeter & BPU sensor (MAX30100)

This is the Circuit diagram of Pulse oximeter & BPU sensor MAX30100. The Circuit describes the working functionality of sensor.

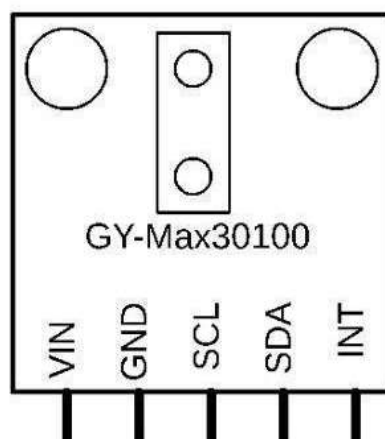


Fig. 3.4.2: Circuit diagram of Pulse oximeter & BPU sensor (MAX30100)

3.4.3 Circuit diagram of Accelerometer (GY-87)

This is the Circuit diagram of Accelerometer GY-87. The Circuit describes the working functionality of sensor.

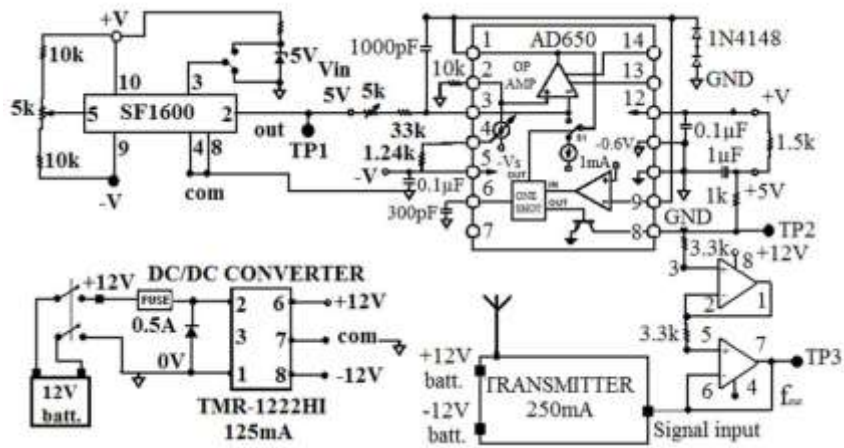


Fig. 3.4.3: Circuit diagram of Accelerometer (GY-87)

3.4.4 Circuit diagram of NodeMCU (Esp8266)

This is the Circuit diagram of NodeMCU. The Circuit describes the working functionality of sensor.



Fig. 3.4.4: Circuit diagram of NodeMCU (ESP8266)

3.5 Flow Chart

This flow chart shows that the process starts then connect with WIFI if the command negatives the process start repeatedly then taking inputs from sensor and process according to rule. If sensor not data available go to taking inputs from sensor, then again try to taking inputs from sensor. sensor data available then send notification to server and mobile app and convert to csv. After all process complete the algorithm reach End.

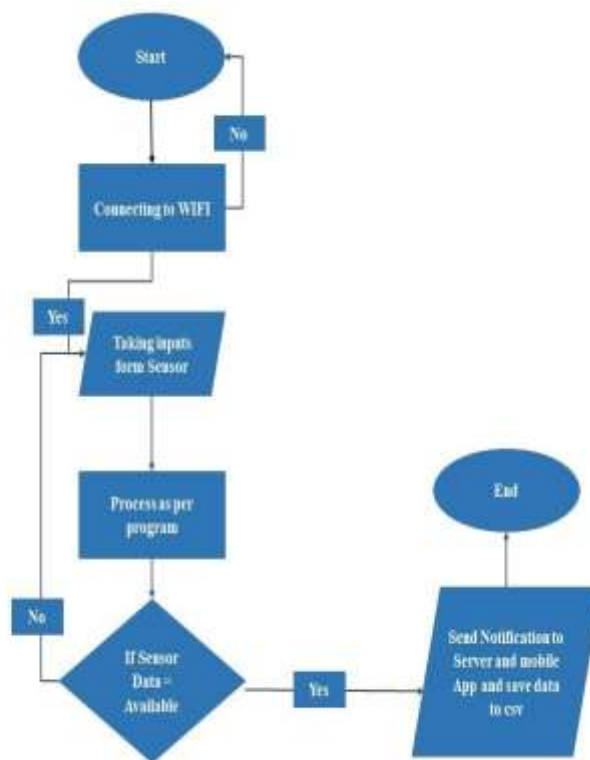


Fig. 3.5: Flow Char

3.6 Block Diagram

3.6.1 Block Diagram of Application

This is the Block diagram of application. The Block describes the working functionality of application.

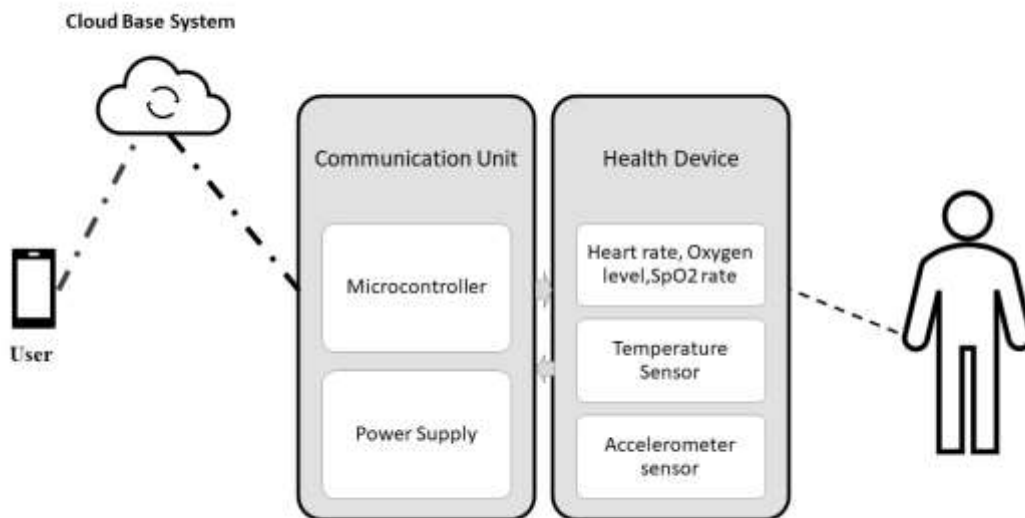


Fig. 3.6.1: Block diagram of IOT Application

3.6.2 Block diagram of Temperature sensor (LM35):

This is the Block diagram of temperature sensor LM35. The Block describes the working functionality of sensor.

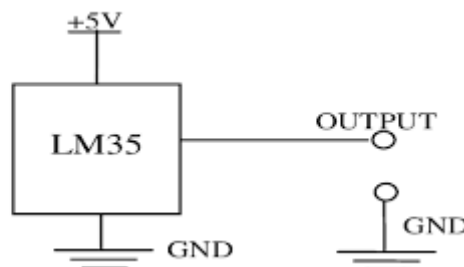


Fig. 3.6.2: Block diagram of Temperature (LM35)

3.6.3 Block diagram of Pulse oximeter & BPU sensor (MAX30100)

This is the Block diagram of Pulse oximeter & BPU sensor MAX30100. The Block describes the working functionality of sensor.

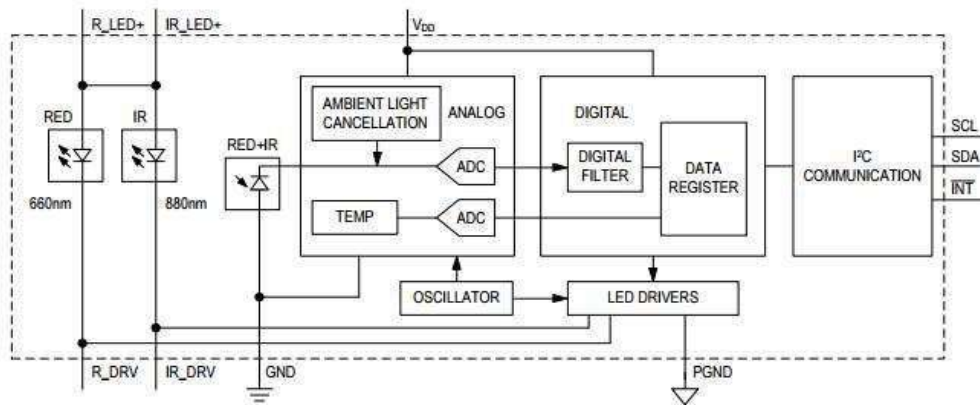


Fig. 3.6.3: Block diagram of Pulse oximeter & BPU sensor (MAX30100)

3.6.4 Block diagram of Accelerometer (GY 87)

This is the Block diagram of Accelerometer GY-87. The Block describes the working functionality of sensor.

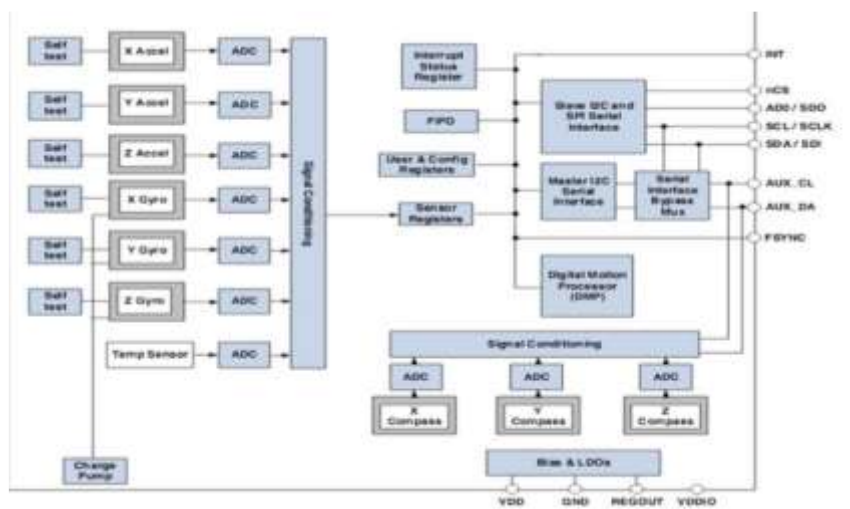


Fig. 3.6.4: Block diagram of Accelerometer (GY 87)

3.6.5 Block Diagram of NodeMCU(ESP8266)

This is the Block diagram of NodeMCU(ESP8266). The Block describes the working functionality of sensor.

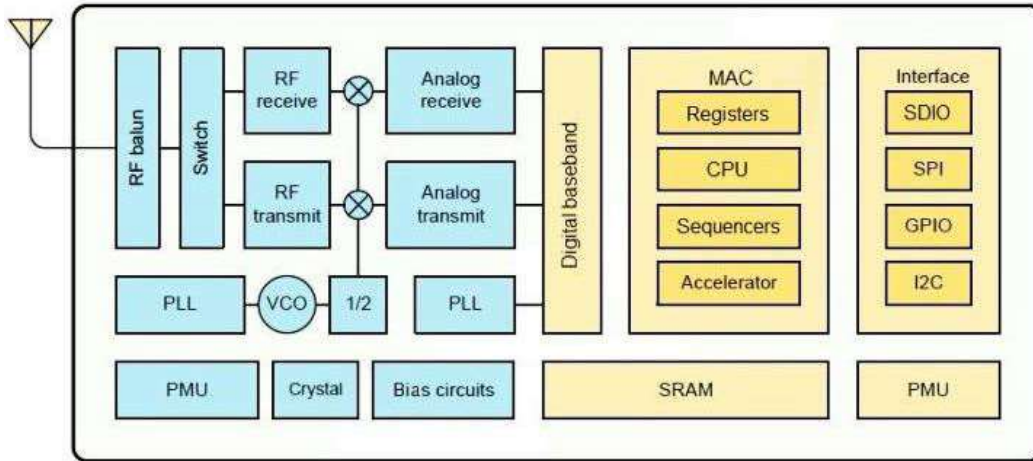


Fig. 3.6.5: Block diagram of NodeMCU (ESP8266)

3.7 Algorithm

We implement our program in NODEMCU. This system continuously gathers data. The initial algorithm pseudo given below,

System Algorithm

Step1 – Start

Step2 – connect with WIFI , if fail go to step 1 .

Step3 – Take input from sensors.

Step4 – If $SpO_2 > 95\%$ And Heart Rate < 100 Bpm and cough rate =0 And Temperature < 37.2 C Then Assign As “None Symptom”.

Step5 - If SpO₂ >= 95% And Heart Rate <= 100 Bpm and cough rate <= 5 minute and 36 C <= Temperature Rate <= 38 C Then Assign As “Mild Symptom”.

Step6 - If 93% <= SpO₂ <= 94% And Heart Rate <= 100 Bpm 5 minute <= cough rate <= 30 minute and 36 C <= Temperature Rate <= 38 C Then Assign As “Moderate Clinical Symptom ”.

Step7 - If SpO₂ <= 92% And Heart Rate > 120 Bpm And cough rate > 30-minute Temperature Rate >38 C Then Assign As “Serious Clinical Symptom ”.

Step8 – if all assign data and sensor data is available then go to step 9 otherwise go to step 3

Step9 – send notification to server and visible app and save data to ass format.

Step10 – End

3.8 Descriptions of Sensor

3.8.1 NodeMCU (ESP8266)

Nodemcu can be an IoT platform having a really cost that is minimal. NodeMCU can be an open-source firmware which is why source that is open board styles can be obtained. The title "NodeMCU" integrates "node" and "MCU" (micro-controller unit). The term "NodeMCU" totally speaking is the firmware as opposed to the programming that is connected. Both the firmware and board that is prototyping are open source. The firmware makes use of the Lua language that is scripting.

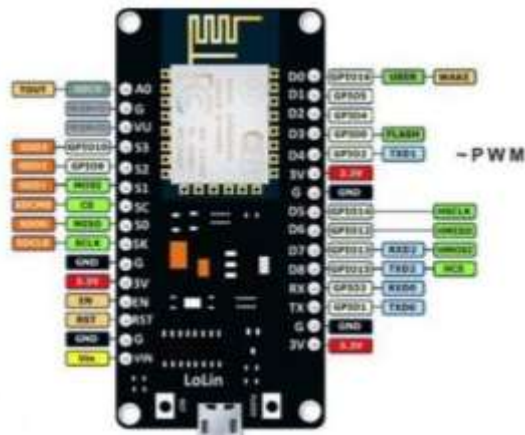


Fig. 3.8.1: NodeMCU (ESP8266)

Table 3.8.1:NodeMCU Specification

Specification	Description
Microcontroller	Tensilica 32-bit RISC CPU Xtensa LX106
Input Voltage	7-12V
Serve Voltage	3.3V
Analog Input pins (ADC)	1
Digital I/O pins (DIO)	1
SPIs	1
UARTS	1
I2Cs	1
SRAM	64 KB
Clock Speed	80 MHZ
Flash Memory	4 MB

3.8.2 Temperature sensor (LM35)

Temperature measurement is completely needed for COVID-19 detection and has now been broadly employed by many nations as a test that is instant determine if tourists or residents have been contaminated with COVID-19. This procedure for body temperature monitoring isn't adequate as COVID-19 could prior be spread to the fever grows while quarantining individuals that have temperature may avoid spread to some point. The tabs that are constant epidermis heat can be considered an approach that is good this respect which happens to be used by some hospitals. Wearable products are thought being a solution that is efficient this purpose. Numerous scientists have currently proposed services and products which are wearable body that is constant temperature monitoring which is usually used for COVID-19 clients. The LM35 series are precision temperature that is built in-circuit with a production current linearly-proportional to your Centigrade temperature. The LM35 unit comes with a benefit over linear temperature sensors calibrated in Kelvin, after the individual is not needed to subtract a voltage that is large is frequent the output to have convenient Centigrade scaling. The LM35 device does possibly not need any calibration that is clipping that is external supply ordinary accuracies of $\pm\frac{1}{4}^{\circ}\text{C}$ at area temperature and $\pm\frac{3}{4}^{\circ}$ Cover a full -55°C to 150°C temperature range. Less pricing is guaranteed by trimming and calibration during the water degree. The impedance that is low-output output that is linear and exact built-in calibration regarding the LM35 device makes interfacing to readout or control circuitry particularly easy. The device can be used in combination with solitary power materials, or with plus and materials that are negative. This has excessively self-heating that is low of than 0.1°C in still atmosphere as the LM35 product attracts just $60\ \mu\text{A}$ through the supply. The LM35 device is rated to operate more than a -55°C to 150°C temperature variety, as the unit that is LM35C rated for a -40°C to vary that is $110^{\circ}\text{C}-10^{\circ}$ with enhanced correctness. The LM35-series services and items are existing packaged in hermetic TO transistor bundles, whilst the LM35C, LM35CA, and services and products which could be LM35D for purchase in the TO-92 transistor bundle that is synthetic. The LM35D unit is available within an area-mount that is package that is 8-lead a plastic TO-220 package.



Fig. 3.8.2: Temperature sensor (LM35)

Table 3.8.2:Temperature Specification

Specification	Description
Local sensor accuracy (Max)	(+/- C) 1
Operating temperature range (C)	-40 to 110, -55 to 150, 0 to 100, 0 to 70
Supply voltage (Min) (V)	4
Supply voltage (Max) (V)	30
Supply current (Max) (uA)	114
Interface type	Analog output
Sensor gain (mV/Deg C)	10

3.8.3 Pulse oximeter and BPU sensor (MAX30100)

The sensor is just a mix of a pulse and a heartbeat monitor. It detects pulse and heartbeat indicators making use of two LEDs, an image detector, improved optics, and analog sign processing that is low-noise. It runs on 1.8V and 3.3V power sources and certainly will be switched off by computer software with very little standby current, permitting the charged power becoming linked at all times. The product contains two LEDs, one of which emits red light as well as the various other light that is infrared. Only infrared light is needed to determine pulse rate. Oxygen levels in the blood tend to be assessed utilizing both red and light this is certainly infrared. When the heart beats, blood is pumped through the body. Being a complete result of having more blood, there is an upsurge in oxygenated bloodstream. The amount of oxygenated blood decreases as soon as the heart relaxes. The Pulse Rate is computed by calculating just the right time taken between the rise and loss of oxygenated blood. Oxygenated blood absorbs more infrared light while driving more red light, and de oxygenated blood absorbs more red light while driving more light that is infrared. The MAX30100's primary function is always to read both light sources' absorption levels and store them inside a buffer which can be read making use of the interaction protocol that is i2C. COVID-19 can significantly impact heart function and induce myocardial damage that might irreparably damage the machine this is certainly aerobic. Viral disease due to the COVID-19 increases tension this is certainly physiological the human body which typically manifests being an overall boost in heart rate (hour) and blood circulation pressure monitor.



Fig. 3.8.3: Pulse oximeter & BPU sensor (MAX30100)

Table 3.8.3:Pin Description

Pin	Name	Function
1, 7, 8, 14	N.C	No Connection. Associate to PCB Pad for Mechanical Reliability.
2	SCL	I2C Clock Input
3	SDA	I2C Clock Data, Bidirectional (Open-Drain)
4	PGND	Power Ground of the LED Driver Blocks
5	IR_DRV	IRLED Cathode and LED Driver Connection Point. Leave floating in circuit.
6	R_DRV	Red LED Cathode and LED Driver Link Point. Keep drifting in circuit.
9	R_LED+	Power Supply (Anode Connection) for Red LED. Bypass to PGND for best

		performance. Connected to IR_LED+ internally.
10	IR_LED+	Power Supply (Anode Connection) for IR LED. Bypass to PGND for best performance. Connected to R_LED+ internally.
11	VDD	Analog Power Supply Input. Bypass to GND for best performance.
12	GND	Analog Ground
13	INT	Active-Low Interrupt (Open-Drain)

3.8.4 Accelerometer (MPU9265)

An accelerometer is a form of electric sensor that senses the acceleration forces acting on an item to estimate its location in space and detect its movement. The rate of change of an object's velocity, which is a vector quantity, is considered acceleration.

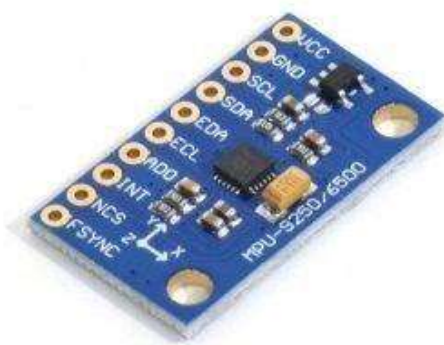


Fig. 3.8.4: Accelerometer (MPU9265)

Table3.8.4:Pin Description

Pin	Pin	Pin Description
1	RESV	Reserved. Connect to VDDIO.
7	AUX_CL	I2C Master serial clock, for connecting to external sensors
8	VDDIO	Digital I/O supply voltage
9	AD0 / SDO	I2C Slave Address LSB (AD0); SPI serial data output (SDO)
10	REGOUT	Regulator filter capacitor connection
11	FSYNC	Frame synchronization digital input. Connect to GND if unused.
12	INT	Interrupt digital output (totem pole or open-drain)
13	VDD	Power supply voltage and Digital I/O supply voltage
18	GND	Power supply ground
19	RESV	Reserved. Do not connect.
20	RESV	Reserved. Connect to GND.
21	AUX_DA	I2C master serial data, for connecting to external sensors
22	nCS	Chip select (SPI mode only)
23	SCL / SCLK	I2C serial clock (SCL); SPI serial clock (SCLK)
24	SDA / SDI	I2C serial data (SDA); SPI serial data input (SDI)
2 – 6, 14 - 17	NC	Not internally connected. May be used for PCB trace routing.

3.8.5 Breadboard

Breadboard is one kind of development board which is used to implement electronics components like resistor, transistor, LED, dc motor, Arduino, NodeMCU etc. It is very useful to connect jumper wires with those electronics components.

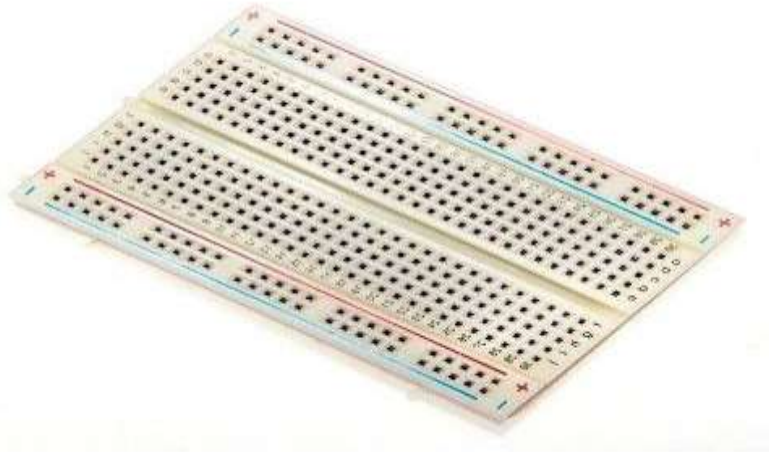


Fig. 3.8.5: Breadboard

3.8.6 Jumper Wires

Jumper wires are used to connect electronics components with breadboard development board. There are some kind of jumper wires, male to male, female to female, female to male etc.



Fig. 3.8.6: Jumper Wire

3.8.7 Display

Liquid crystal material is placed between two sheets of cup in a liquid crystal display (LCD). Fluid crystal particles align in parallel with the cup area even when no current is provided between obvious electrodes. 16x2 LCD module are used in this display

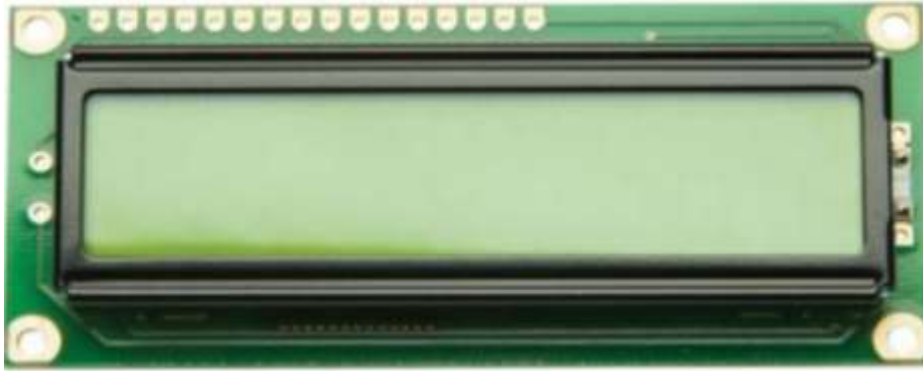


Fig. 3.8.7: Display

3.8.8 I2C Serial Interface Adapter

I2C stands for "interface to serial bus." This is a serial bus interface connection protocol. Since it only requires two wires for interaction, it's also termed as TWI (two-wire interface). SDA (serial data) and SCL (serial control) are the two wires in concern (serial clock).

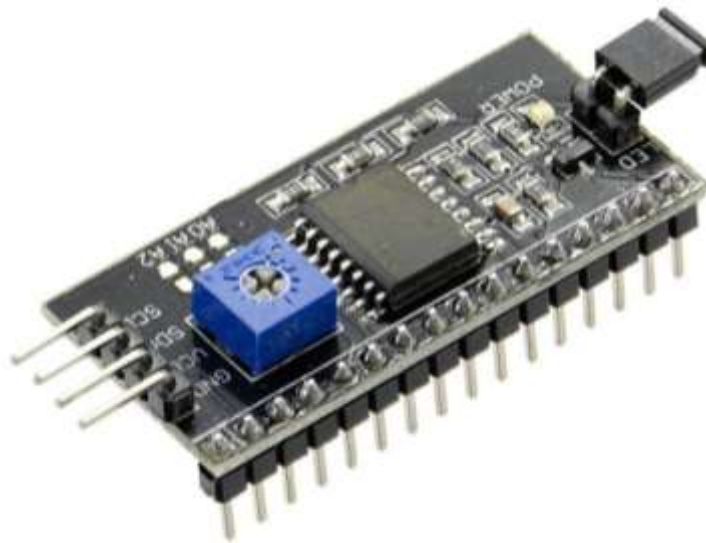


Fig. 3.8.8: I2C Serial Interface Adapter

3.8.9 Battery

We powered up the module using a 9V battery. The Voltage regulator's output is linked to the Vin pin of the NodeMCU, while GND is connected to GND.



Fig. 3.8.9: Battery

3.9 Descriptions List of Sensor

Table 3.9: List of Sensors

No of Sensor	Quantity of Sensor	Component	Use
1	1	MAX30100	Detecting Heart rate and Oxygen saturation level
2	1	MPU9260	Detecting Cough
3	1	LM35	Detecting Temperature
4	2	NODEMCU	Sending data to cloud
5	1	Battery	Use of power supply

CHAPTER 4

PROGRAM COMPILATION

4.1 The Rule-Based Analysis of COVID-19

An important part of our framework is a system that is principled decision making. While there are many ways to make use of device mastering or networks that are neural. A principled method is really a favored solution to perform classification jobs in such cases. Basic idea system that is principle-based the cornerstone of a principle that consists of a set of guidelines. They are the rules. Learned from domain professionals or followed from health tips and research. The outcome, in the form that is simplest, work with the concepts of incorporating the variants of the man or woman's symptoms because of the understanding included in the principles. The principles relate genuinely to the lack or existence of an image or perhaps the worth of the sensor above or below a specific threshold worth in our instance. To define the rules, we consulted two disease this is certainly infectious. Consulting physicians respected that the SpO2 dimension is a vital and determinant this is certainly required of. The patient reveals no signs and symptoms of infection as well as the test is unfavorable and the client should not go directly to the COVID-19 center in the event that typical heat of SpO2 is more than 95. But, if SpO2 is between 93% and 94% by way of a somewhat higher heat (> 38), a test for COVID-19 is essential. In inclusion, we have extracted some concepts through the literary works this is certainly current discussed below. It allows us to explain the full total results of the screening in four conditions. Each class fulfills a particular one. A collection of maxims. Someone is tested from the guidelines as well as a class is assigned considering that. Terms lay out in each condition as mention Mukhtar, H.; Rubaiee, S.;Krichen, M.; Alroobaea, R. [15]. The information of those condition is the following:

Condition 1: Non-symptomatic	Condition 2: Mild symptoms	Condition 3: Moderate symptoms	Condition 4: Serious symptoms
<ul style="list-style-type: none"> ○ SpO2 \geq 95%; ○ Cough Rate: NIL; ○ Heartbeat Rate \leq 100 bpm; ○ Temperature \leq 37.2 C; 	<ul style="list-style-type: none"> ○ SpO2 \geq 95%; ○ Cough Rate \leq 5/min; ○ Heartbeat Rate \leq 100 bpm; ○ 36 C \leq Temperature \leq 38 C; 	<ul style="list-style-type: none"> ○ 93% \leq SpO2 \leq 94%; ○ 5/min \leq Cough Rate \leq 30/min; ○ Heartbeat Rate $>$ 100 bpm; ○ Temperature \geq 38 C. 	<ul style="list-style-type: none"> ○ SpO2 \leq 92%; ○ Cough Rate \geq 30/min; ○ Heartbeat Rate \geq 120 bpm; ○ Temperature $>$ 38 C.

Although sensors are useful for detecting significant symptoms, in the diagnostic phase, more tools can be used to detect these symptoms. For example, a specialist or physician may measure glucose levels, blood pressure, or an ECG for a final result. This will only be needed for severe medical symptoms (condition 4). For screening purposes, several additional questions may be required depending on the regional guidelines for COVID-19 screening for oral verification of the patient.

4.2 Code of IoT device

Main Program - Program code implemented in NodeMCU-1

Pulse oximeter & BPU sensor code

```
#include<Wire.h>
#include <LiquidCrystal_I2C.h>
#define BLYNK_PRINT Serial
#include <Blynk.h>
#include <ESP8266WiFi.h>
#include <BlynkSimpleEsp8266.h>
LiquidCrystal_I2C lcd(0x27, 16, 2);
char auth[] = "PA4nxsDIDA3FgwXdalj0P52AeygbVLvH";
char ssid[] = "iot";           // WiFi credentials
char pass[] = "iot12345";
int o2=D5;
int o21=D6;
int o22=D7;
int o23=D8;

int o220=0;
int o221=0;

int o222=0;
int o223=0;
const int MPU_addr=0x68;
int16_t AcX,AcY,AcZ,Tmp,GyX,GyY,GyZ;
float celsius;
int minVal=265;
int maxVal=402;

double x;
double y;
double z;
```

```

void setup(){

    lcd.begin();          // initialize the LCD
    lcd.backlight();      // turn backlight on
    lcd.clear();
    pinMode(o2,INPUT);
    pinMode(o21,INPUT);
    pinMode(o22,INPUT);
    pinMode(o23,INPUT);

    Wire.begin();
    Wire.beginTransmission(MPU_addr);
    Wire.write(0x6B);
    Wire.write(0);
    Wire.endTransmission(true);
    Serial.begin(9600);
    Blynk.begin(auth, ssid, pass);
}

void loop(){
    Blynk.run();
    cond();
    lcd.setCursor(0,1);
    lcd.print("IoT Heathcare");

    int analogValue = analogRead(A0); //reading the sensor on A0
    float millivolts = (analogValue/1024.0) * 3300; //3300 is the voltage provided by
    NodeMCU
    celsius = millivolts/10;
    Blynk.virtualWrite(V8, celsius);
    Wire.beginTransmission(MPU_addr);
    Wire.write(0x3B);
    Wire.endTransmission(false);
}

```



```

Wire.requestFrom(MPU_addr,14,true);
AcX=Wire.read()<<8|Wire.read();
AcY=Wire.read()<<8|Wire.read();
AcZ=Wire.read()<<8|Wire.read();
int xAng = map(AcX,minVal,maxVal,-90,90);
int yAng = map(AcY,minVal,maxVal,-90,90);
int zAng = map(AcZ,minVal,maxVal,-90,90);

x= RAD_TO_DEG * (atan2(-yAng, -zAng)+PI);
y= RAD_TO_DEG * (atan2(-xAng, -zAng)+PI);
z= RAD_TO_DEG * (atan2(-yAng, -xAng)+PI);

Serial.print("AngleX= ");
Serial.println(x);

Serial.print("AngleY= ");
Serial.println(y);
Serial.print("AngleZ= ");
Serial.println(z);
Serial.println("-----");

Blynk.virtualWrite(V2, x);
Blynk.virtualWrite(V3, y);
Blynk.virtualWrite(V4, z);

delay(1000);
}
void cond(){
  o220= digitalRead(o2);
  o221 = digitalRead(o21);

```

```

o22= digitalRead(o22);
o23= digitalRead(o23);
if(x<100 && o22==HIGH && celsius <37.2 )
{Serial.println("Non symptoms.");
lcd.clear();
lcd.setCursor(0, 0);
  lcd.print("Non Symptoms");
  delay(2000);
  lcd.clear();}
else if(x<100 && o221==HIGH && celsius <=38 )
{Serial.println("Mild symptoms.");
lcd.clear();
lcd.setCursor(0, 0);
  lcd.print("Mild Symptoms");
  delay(2000);
  lcd.clear();}
else if(x<100 && o222==HIGH && celsius >38 )
{Serial.println("Moderate Clinical symptoms.");
lcd.clear();
lcd.setCursor(0, 0);
  lcd.print("Modaret Symptoms");
  delay(2000);
  lcd.clear();}
else if(x<100 && o223==HIGH && celsius >38 )
{Serial.println("Serious Critical symptoms.");
lcd.clear();
lcd.setCursor(0, 0);
  lcd.print("Serious Condition");
  delay(2000);
  lcd.clear();}

```

```

}
NodeMCU-2
#include <Wire.h>
#include "MAX30100_PulseOximeter.h"
#include <ESP8266WiFi.h>
#include <BlynkSimpleEsp8266.h>
#define REPORTING_PERIOD_MS 1000
BlynkTimer timer;
PulseOximeter pox;
char auth[] = "PA4nxsDIDA3FgwXdalj0P52AeygbVLvH";
char ssid[] = "iot";
char pass[] = "iot12345";
uint32_t tsLastReport = 0;
int led=D5;
int led1=D6;
int led2=D7;
int led3=D8;
void onBeatDetected()
{
  Serial.println("Beat!");
}
void setup()
{ Blynk.begin(auth, ssid, pass);
  Serial.begin(9600);
  pinMode(led,OUTPUT);
  pinMode(led1,OUTPUT);
  pinMode(led2,OUTPUT);
  pinMode(led3,OUTPUT);
  timer.setInterval(150L, getSendData1);
  Serial.print("Initializing pulse oximeter..");

```

```

    if (!pox.begin()) {
        Serial.println("FAILED");
        for(;;);
    } else {
        Serial.println("SUCCESS");
    }
    pox.setOnBeatDetectedCallback(onBeatDetected);
}

void loop()
{
    Blynk.run();
    timer.run();
}

void getSendData1()
{ pox.update();
  int bp= pox.getHeartRate();
  int sp= pox.getSpO2();
  if (millis() - tsLastReport > REPORTING_PERIOD_MS) {
    Serial.print("Heart rate:");
    Serial.print(pox.getHeartRate());
    Serial.print("bpm / SpO2:");
    Serial.print(pox.getSpO2());
    Serial.println("%");

    Blynk.virtualWrite(V6, pox.getSpO2());
    Blynk.virtualWrite(V7, bp);
    if(sp>=95)
    {digitalWrite(led,HIGH);}
    else {digitalWrite(led,LOW);}
    if(sp>=95)

```

```

    {digitalWrite(led1,HIGH);}
    else {digitalWrite(led,LOW);}
    if(sp<93 && sp>90)
    {digitalWrite(led2,HIGH);}
    else {digitalWrite(led,LOW);}
    if(sp<=90)
    {digitalWrite(led3,HIGH);}
    else {digitalWrite(led,LOW);}
        tsLastReport = millis();
    } }

```

4.3 Code Review

4.3.1 Main Program

NodeMCU -1

This technique calls for some features which can be library as wire.h used for communication. Its library allows you to communicate with I2C / TWI devices. The SDA (data line) and SCL (clock range) take the pin header close to the AREF pin. The Arduino Due has two/ that is i2C interfaces SDA1 and SCL1 near the AREF pin and an extra pin at 20 and 21. LiquidCrystal_I2C.h is used in order to connect the screen to Nodemcu as well as a microcontroller, you shall need at least 6 pins. RS, EN, D7, D6, D5, and D4 (with permanent floor R / W pin for right operation). You could encounter a pin absence for the microcontroller whenever you are engaged in a complex project by having a large number of modules. In these instances, it is easy to use only 2 pins (SDA and SCL) of I2C LCD to speak with MCU, therefore conserving at least 4 pins. This LCD module doesn't actually utilize any longer pins if you currently have I2C devices. Use Blynk.h for connecting utilizing the application to look at data. Make use of the header file known as Nodemcu ESP8266WiFi.h attached to the WIFI module to transfer information. Other Nodemcu is use header file MAX30100_PulseOximeter.h labeled as data making use of pin this is certainly digital send all information in digital application user interface for exposure in application interface.

Nodemcu -2

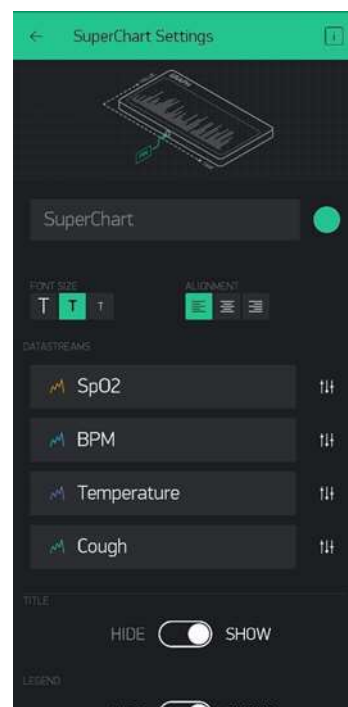
For Pulse Oximeter are used for taking measurements of SpO2 and heart rate with Nodemcu value are transferred in Blynk via virtual pin.

4.3.2 Blynk Application Interface

This application interface shows the blynk application configuration with virtual pin used by sensor for update the value of measure data. The data resolution is different sensor by sensor (a)(b). Temperature sensor taking virtual pin 8 (c) as input and its value 0 to 1023 . SpO₂ sensor are taking virtual pin 6 (d) as input data and its value is 0 to 1023. Blood pressure sensor are taking virtual pin 7 (e)as input and its value 0 to 1023. Cough detection sensor are taking virtual pin 3 (f) as input and its value 0 to 1023.



(a)

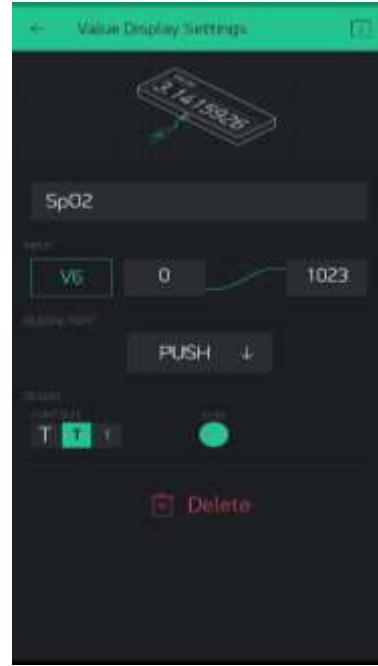


(b)

Fig. 4.3.2: Blynk Application Interface-1



(c)



(d)

Fig. 4.3.3: Blynk Application Interface-2



(e)



(f)

Fig. 4.3.4: Blynk Application Interface-3

CHAPTER 5

EXECUTION AND TESTING

5.1 Execution of Health IoT device

IoT is an innovative technological platform to fight with COVID-19 pandemic and can fulfil significant challenges during the lockdown situation. This technology is helpful to capture the real-time data and other necessary information of the infected patient [[7], [8], [9]]. Fig. 5.1 shows the significant device which is used by detection for COVID-19. Figure 5.1. The sensors plus the last device within our model implementation: (a) linking heat sensor with Wi-Fi component (b) sensor musical organization regarding the supply (c) the configuration this is certainly wearable of all sensors. Figure 5.1 reveals the model implementation of the assessment device that is COVID-19. These devices contain health sensors linked to a processor and module that is a Wi-Fi Data transfer and handling to the cloud. The product has two components which are interconnected one put round the arm, although the other one connected to the component this is certainly frontal to your throat

So, your cough frequency and strength may be determined. Its purpose will be determining the observable symptoms of this coronavirus by calculating the temperature, oxygen level within the bloodstream, the pulse of heart, and deciding the seriousness of the cough that is patients. The procedure that is on-board programmed using nodemcu to combine the info and deliver it up to a cloud-storage platform utilising the Wi-Fi component.

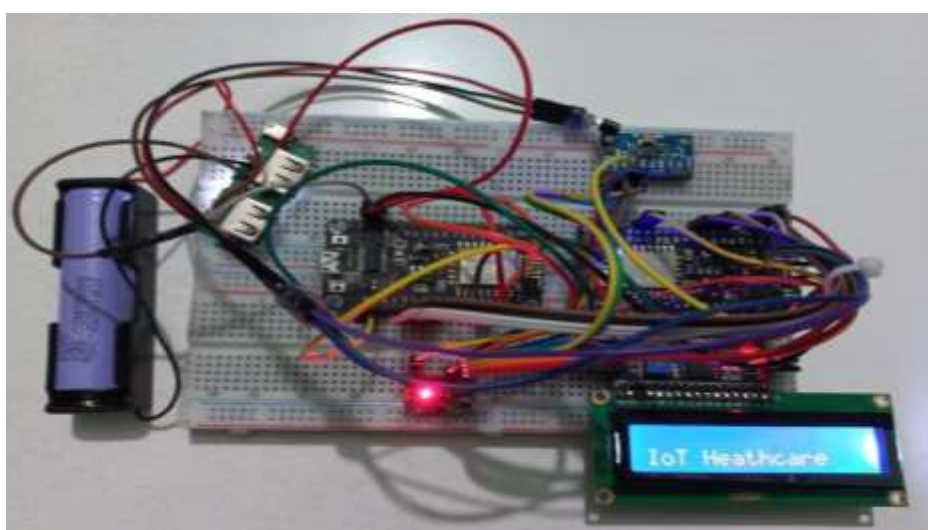


Fig. 5.1: Healthcare System for Detecting Covid-19

5.2 Execution of Application

This application view of Our testing unit permits doctors or patient-supervising specialists to simply take physiological measurements and remotely analyze their clients, always understand their own health circumstances, and determine the necessary medical characteristics without having any physical and contact that is direct all of them. The product is with a software that is smartphone remotely follow and figure out the patients' health condition if he/she is infected with influenza or coronavirus within a mixture of the info from the detectors, as shown in Figure 5.2. Making use of patterns from visualization ideas, we make use of different widgets and tints which can be different show the outcome regarding the detectors as well as the diagnosis, predicated on data from the detectors. The application makes use of an algorithm to select the standing associated with patient because without having any signs or having low, moderate, or symptoms being extreme with individual sensor reading for explanation and assessment.

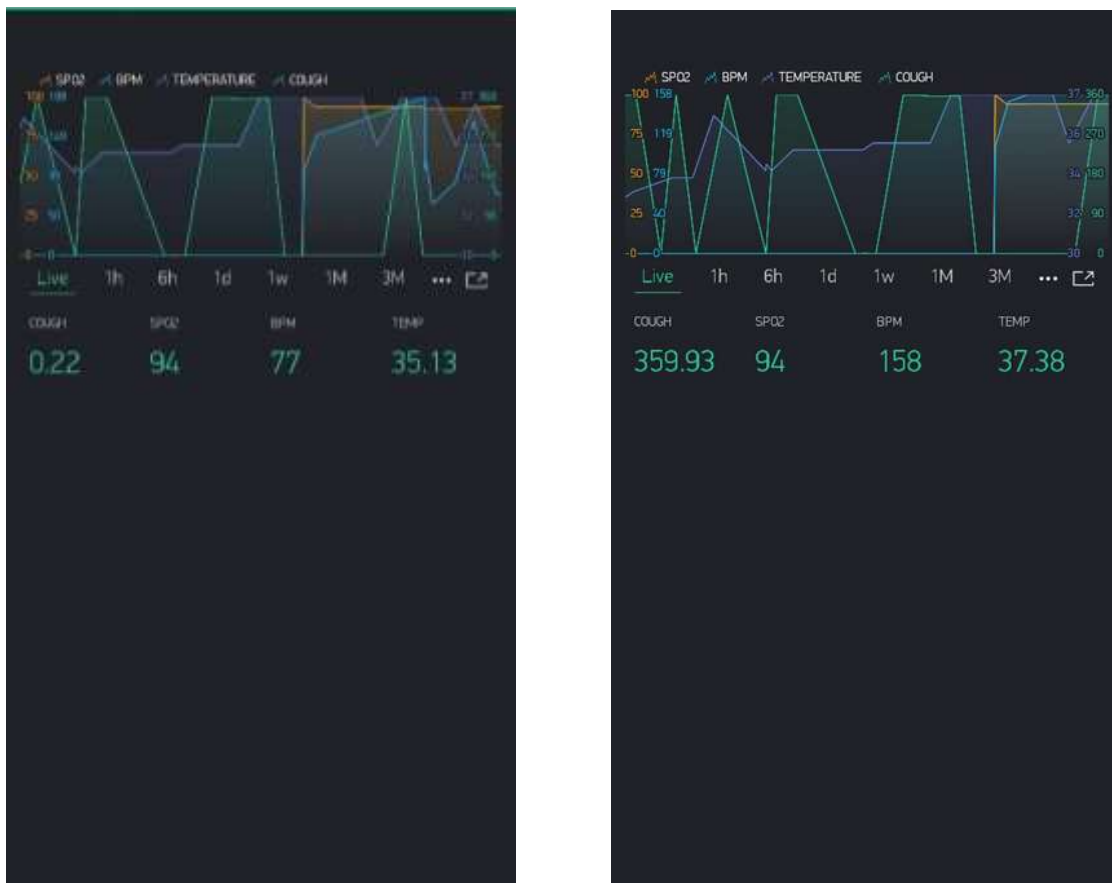


Fig. 5.2: Healthcare System for Detecting Covid19 Static view

CHAPTER 6

LIMITATION

6.1 Limitation

The structure proposed in this specific article is based upon the assumption. Presence of cordless communication networks everywhere. The proposed architecture made by a group of wireless sensor networks (WSNs), IoT device , and other elements which are maybe not available such sites or places. Bandwidth, data rate, resolution and high-internet connected room and device complexity is another barrier. The recommended structure is required network connection which are rarely available around the world . It is covered for community services, such as for instance rural areas, sparsely populated areas, isolated islands, etc. This design alone may not be fulfilled. Stained community connections can be quite a barrier also. Architectural operation; hence, enhancing the wait within the transmission of crucial data and the loss within the reliability associated with data transfer. when you look at the communication of essential variables which can cause delays of taking data from affected patient. On the basis of the architecture this is certainly suggested. Presumption that communities will be given accessibility them. Data Considering the known proven fact that data are going to be kept private first. They're shared from the system therefore the patient's doctor. Privacy shall be preserved all of the time. Protocol may be followed for anonymity, confidentiality and privacy is beyond the range of this report; a commonality that is important we plan to include into our future. Designs take the short-term and actions which are long-lasting in this project. Automatically activated with respect to the state that is present of patient need help from health personnel. Involved person who is carrying out device and operations whom are skilled in IoT. Handling online platforms and interpreting received from such platforms that are online. The suggested design is a combination of WSN and IoT infrastructure in energy saving that is incredible. The process of collecting patient information needs the patient's human anatomy, examining it, communicating with it, activating the system to the desired destination therefore the appropriate result . Reactions or problems are extremely uncommon, even if observed. From a perspective that is general but, the architecture will don't fully react if handheld products belong. Individuals (customers, participants or counselors) tend to be out of cost or electric battery backup. The wearable sensor that is ecological for collecting diligent data may also be continuously required. Maintenance and battery that is

regular such as for example when as soon as some of the preliminary products might be out of power. Further responses and actions caused by failure to restart the process .

6.2 Future Work

The In this analysis, that found research that is support that is most certainly ample role that is key by IoT-based applications and technologies during COVID-19. It was additionally discovered that a few programs are set for size execution and create an impact that is huge. Some technologies require further validation and R&D before being implemented. But We genuinely believe that there must be more research and development in direction of managing privacy and safety issues, as examined in this essay that is specific. This may be an essential component that chooses mass adaptation of future IoT technologies. Scientists should focus more precisely to ensure a person is knowledgeable enough to handle technology with no threats because there is a dearth of information and knowledge cyber that is regarding safety. Also, an additionally more comprehending that is comprehensive of threats is important, as there was less study on efficient ways to offer and important information towards the users. The project could be added with some other device like ECG and X-Ray data for making more accuracy of result. Also define result using machine learning algorithm like: logistic regression, decision tree, k-nearest, random forest in future. An investigation and that is significant right now Development work is concentrated within the health care sector that is ongoing. IoT has the capability to make A modification that is great is significant areas which can be numerous as examined in the article. Experts may use the analysis that is systematic in this article that is understand that is specific Application use during COVID-19 and past. Additionally, it provides enough information related to various IoT technologies in diverse sectors. Site visitors may make usage of your analysis to simply help explore the societal and effect that is time that is marketplace that is economic and technology readiness. In addition, this short article elaborates on important challenges and opportunities around Protection and privacy aspects, which can be handled in future study and development. Finally, this informative article provides information that is site visitors that are certainly sufficient the importance of rule of practices in this domain and instructions that are rising IoT in fundamental.

CHAPTER 7

CONCLUSION

7.1 Conclusion

The suggested approach is based on the basis of the use of the IoT system. IoT system provides effective remote-control services for tracking patients. The info in the system that is recommended examined and constantly monitored for any changes. Corona affected are suffer from the symptoms that change constantly and differ from person-to-person with regards to the impact. The device is certainly suggested the capacity to have a large number of elements and adapt to their condition and transfers information towards the main supervisor associated with the system where data is reviewed and handled correctly. As it happens when IoT technologies would assure to cooperate. Design of outside environment sensing and communication infrastructure due to current situation advancements in the dependence on easily carriable and more efficiently hand able . In inclusion, there are challenges associated with every level of the IoT infrastructure. Has been claimed and directions have now been created to deal with these challenges. Are offered. It really is wished that the supply of standard infrastructure to make certain length this is certainly personal the proposed end to get rid of can help specific residents, government and medical staff to effortlessly fight pandemics more efficiently. Making the machine that is suggested efficient and to meet the standard targets of COVID-19 patient detection in the IoT system.

References

- [1] Seshadri DR, Davies EV, et al. Wearable sensors for COVID-19: a call to action to harness our digital infrastructure for remote patient monitoring and virtual assessments. *Front. Digit. Health* 2020;2(8).
- [2] Singh, R.P. Javaid, M. Haleem, A.Suman, R. Internet of things (IoT) applications to fight against COVID-19 pandemic. *Diabetes Metab. Syndr. Clin. Res. Rev.* 2020.
- [3] Elansary, I. Darwish, A. Hassanien, A.E. The Future Scope of Internet of Things for Monitoring and Prediction of COVID-19 Patients. In *Digital Transformation and Emerging Technologies for Fighting COVID-19 Pandemic: Innovative Approaches*; Springer: Cham, Switzerland, 2021.
- [4] Papa, A. Mital, M. Pisano, et al, M. E-health and wellbeing monitoring using smart healthcare devices: An empirical investigation. *Technol. Forecast. Soc. Chang.* 2020
- [5] L. Bai, D. Yang, X. Wang, L. Tong, X. et al., in: *Clinical eHealth Chinese Experts' Consensus on the Internet of Things-Aided Diagnosis and Treatment of Coronavirus Disease 2019 (COVID-19)*, vol. 3, 2020.
- [6] Xuedan, P. Kai, Z. Lili, W. Yujie, F. Shufen, C. Research on Blood Oxygen Saturation Measurement System Based on Reflective Signal. *Proceedings of the 2019 IEEE International Conference on Consumer Electronics—Taiwan (ICCE-TW)*, Yilan, Taiwan, 20–22 May 2019.
- [7] Grillet, F. Behr, J. Calame, P. Aubry, S.; Delabrousse, E. Acute pulmonary embolism associated with COVID-19 pneumonia detected with pulmonary CT angiography. *Radiology* 2020.
- [8] A. Jamal, D. D. AL Narayanasamy, N. Q. Mohd Zaki and R. A. Abbas Helmi, “Large Hall Temperature Monitoring Portal,” in *2019 IEEE International Conference on Automatic Control and Intelligent Systems (I2CACIS)*, Selangor, Malaysia, 2019, pp. 62-67.
- [9] F. Hu, D. Xie, and S. Shen, “On the application of the internet of things in the field of medical and health care,” *Proc. - 2013 IEEE Int. Conf. Green Comput. Commun. IEEE Internet Things IEEE Cyber, Phys. Soc. Comput. GreenCom-iThings-CPSCom 2013*, no. August 2013, pp. 2053–2058, 2013.

- [10] Fang, D., and Qian, Y. (2020). 5g wireless security and privacy: architecture and flexible mechanisms. *IEEE Veh. Technol. Mag.* 15, 58–64. doi:10.1109/mvt.2020.2979261
- [11] Chamola V et al (2020) A comprehensive review of the COVID-19 pandemic and the role of IoT, drones, AI, Blockchain, and 5G in managing its impact. *IEEE Access* 8:90225–90265
- [12] Al-Fuqaha A et al (2015) Internet of Things: A Survey on Enabling Technologies, Protocols and Applications. *IEEE Commun. Surveys and Tutorials* 17(4):2347–76
- [13] Habibzadeh H et al (2020) A survey of healthcare internet of things (HIoT): a clinical perspective. *IEEE Internet Things J* 7(1):53–71
- [14] Mukhtar, H. Rubaiee, S.Krichen, M. Alroobaea, R. An IoTFramework for Screening ofCOVID-19 Using Real-Time DatafromWearable Sensors. *Int. J. Environ.Res. Public Health* 2021, 18, 4022.<https://doi.org/10.3390/ijerph18084022>
- [15] Butt, M. M., Dey, I., Dzaferagic, M., et al(2020). Agent-based modeling for distributed decision support in an IoT network. *IEEE Internet Things J.* 7, 6919–6931. doi:10.1109/jiot.2020.2976802
- [16] Marques, G. (2019). “Ambient assisted living and internet of things,” In *Harnessing the Internet of everything (IoE) for accelerated innovation opportunities.* (Hershey, US: IGI Global), 100–115.
- [17] J. A. Al-Tawfiq, A. Zumla, P. Gautret, et al, “Surveillance for emerging respiratory viruses,”*The Lancet Infectious Diseases*, vol. 14, no. 10, pp. 992–1000, 2014.