

NETWORK CONNECTIVITY OF SOCIAL ISLAMI BANK LIMITED

BY

Nusrat Jannat

ID: 123-15-2144

This Report Presented in Partial Fulfillment of the Requirements for the Degree of
Bachelor of Science in Computer Science and Engineering.

Supervised By

MD. RIAZUR RAHMAN

Lecturer

Department of CSE

Daffodil International University



**DAFFODIL INTERNATIONAL UNIVERSITY
DHAKA, BANGLADESH**

May 2018

APPROVAL

This Internship titled “**Network Connectivity of Social Islamic Bank Ltd**”, submitted by Nusrat Jannat, ID No: 123-15-2144 to the Department of Computer Science and Engineering, Daffodil International University, has been accepted as satisfactory for the partial fulfillment of the requirements for the degree of B.Sc. in Computer Science and Engineering and approved as to its style and contents. The presentation has been held on 5th May, 2018.

BOARD OF EXAMINERS

Dr. Syed Akhter Hossain
Professor and Head

Department of Computer Science and Engineering
Faculty of Science & Information Technology
Daffodil International University

Chairman

Dr. Sheak Rashed Haider Noori

Associate Professor and Associate Head

Department of Computer Science and Engineering
Faculty of Science & Information Technology
Daffodil International University

Internal Examiner

Md. Zahid Hasan

Assistant Professor

Department of Computer Science and Engineering
Faculty of Science & Information Technology
Daffodil International University

Internal Examiner

Dr. Mohammad Shorif Uddin

Professor

Department of Computer Science and Engineering
Jahangirnagar University

External Examiner

DECLARATION

I hereby declare that, this Internship report has been done by me under the supervision of **MD.RIAZUR RAHMAN**, Lecturer, Department of CSE, Daffodil International University. I also declare that neither this report nor any part of this report has been submitted elsewhere for award of any degree or diploma.

Supervised by:

MD.RIAZUR RAHMAN
LECTURER
Department of CSE
Daffodil International University

Submitted by:

NUSRAT JANNAT
ID: 123-15-2144
Department of CSE
Daffodil
International University.

ACKNOWLEDGEMENT

First of all, I express my heartiest thanks and gratefulness to almighty God for His divine blessing makes us possible to complete the final year internship successfully in due time.

Then, I would like to extend my heartfelt gratitude and thanks to my honorable teacher **MD. RIAZUR RAHMAN**, Lecturer of Daffodil International University, for his invaluable guidelines, suggestions and advices when needed.

My sincere thank goes to Mamunur Rashid Bhuiyan, Senior Principal Officer, Social Islami Bank Limited, for guiding me to the relevant sources for this study. For his valuable guidance without which it was not possible to prepare this in a proper manner. I also express my gratitude to every employees of Confidence Electrical Limited for their continuous co-operation and guidance in the work environment.

I would like to express my heartiest gratitude to **Dr. Syed Akhter Hossain, Professor and Head**, Department of CSE, for his kind help to finish my report and also to other faculty members and the staff of CSE department of Daffodil International University.

I would like to thank my entire course mate in Daffodil International University, who took part in this discuss while completing the course work.

Finally, I must acknowledge with due respect the constant support and patients of my parents.

ABSTRACT

This report shows the running network system of Social islami Bank Limited. Also have a bright knowledge about different types of network devices. This report describes the analysis, design, implementation of networks and way of maintaining networking system. This report will help to understand design, implement a huge network system. The First part of internship report gives an overview about history of Social islami Bank Limited, its role in IT sectors, describe about running network system. Then discusses about the performed tasks and responsibilities during internship, finding problems during maintaining the system and way of solving them. Social islami Bank Limited is the largest computer education networks in Bangladesh. Social islami Bank Limited is a committed venture of IT services, by a team of dedicated professionals having distinct experience in technical, management & Functional domain both in domestic and international business. Their aim is to make IT education affordable to all sections of society through various projects associating with government's quasigovernment public and private company to reach each and every corner. Social islami Bank Limited is the only company in IT field having such a vast network covering all cities, towns and villages. We have special teaching methodologies to train people in different categories ranging from school level to corporate clients. All this factors would help to achieve our ultimate goal – "cent percentage computer literacy."

TABLE OF CONTENTS

CONTENTS	PAGE
Board of examiners	i
Declaration	ii
Acknowledgements	iii
Abstract	iv
List of Figures	viii
CHAPTER 1: INTRODUCTION	1-2
1.1 Introduction	1
1.2 Motivation	1
1.3 Internship Objectives	1
1.4 Overview of Sonali Bank Limited	2
1.5 Report Layout	2
CHAPTER 2: ORGANIZATION	3-13
2.1 Introduction	3
2.2 Target Group	4
2.3 SWOT Analysis of Social islami Bank It Department	4
2.4 Organizational Structure	5
2.4.1 Setup Process of IP Address	6
2.4.2 Network Devices	8
2.4.3 Dynamic Routing	9

CHAPTER 3: TASKS, PROJECTS AND ACTIVITIES **14-18**

3.1 Daily task and Activities	14
3.2 Events and Activities	14
3.2.1 Making Ethernet Cables	14
3.2.2 What An Ethernet Cable Looks Like	15
3.2.3 Types of Ethernet Cables	16
3.2.4 Limitations of Ethernet Cables	16
3.3 Project Tasks and Activities	17
3.4 Challenges	17
3.4.1 Improving and securing business esteem	17
3.4.2 Cybersecurity	17
3.4.3 Information Order	17
3.4.4 IT Resource and Information Administration	18
3.4.5 Versatile Stages And Online Networking	18
3.4.6 Explosion of Flexible Working	18

CHAPTER 4: COMPETENCIES AND SMART PLAN **19-22**

4.1 Competencies Earned	19
4.2 Smart Plan	22
4.2.1 Operating System Upgradation	22
4.2.2 Network Failure	22
4.2.3 Cable Damage	22
4.2.4 IP Mismatch	22
4.3 Reflections	22

CHAPTER 5: SUMMARY AND FUTURE SCOPE	23
5.1 Summary	23
5.2 Future Scope	23
REFERENCES	24
APPENDICES	25-26
APPENDIX A : INTERNSHIP REFLECTIONS	25
APPENDIX B : COMPANY DETAILS	25

LIST OF FIGURES

FIGURES	PAGE NO
Figure 2.4.1(A): Setup IP address	7
Figure 2.4.1(B): Setup IP address manually	7
Figure 2.4.3.1: Routing Information Protocol (RIP)	10
Figure 2.4.3.2: Open Shortest Path First (OSPF)	11
Figure 2.4.3.3: Virtual Local Area Network (VLAN)	12
Figure 3.2.2: Ethernet Cable	15

CHAPTER 1

INTRODUCTION

1.1 Introduction

As part of my BSc, studies in Computer Science and Engineering I have already finished internship program in SOCIAL ISLAMI BANK LTD. I was doing my internship at networking division where I have performed network management and support. My main task was to support the senior network administrator. During my internship I have learned to implement routing protocols and connect various networking devices.

1.2 Motivation

My internship program seeks motivated undergraduate students pursuing degrees in Computer Science, Expert Systems, Hardware/Software, Networking, Programming, Systems Analysis to work in the CIA's Directorate of Science and Technology. Motivation is the divine force by which human achieve their goals. I am very interested in Computer Network and want to build up my career as a IT engineer. Its demand in first world is too high and it is becoming a prior subject in our country also. Without strong networking system vision of making “Digital Bangladesh” is not possible.

1.3 Internship Objectives

Main objective of my internship program is to understand the current conditions of job market and also to prepare myself as a skilled person in the competitive job market. Internship is very essential for skill development. To achieve some special quality and real life job experience in order to prove myself as a skilled one internship is the only way. This report gives an overview of the projects that I have worked on during my internship from february to may(2018, at SOCIAL ISLAMI BANK LTD. IT department. I have worked on main objective in between

my intern. The main objective of the study is to understand overall network Connectivity system of, to know ab SOCIAL ISLAMI BANK LTD. out various communication systems, know about modern equipment and technique and to know about official working environment. I have learned to create a Local Area Network, Router & Switch configuration & client end physical and logical support.

1.4 Overview of Social islami bank ltd.

The SOCIAL ISLAMI BANK LTD (SIBL), a second-generation commercial bank, operating since 22nd November, 1995 based on Sharia' Principles, has now 114 branches all over the country with two subsidiary companies - SIBL Securities Ltd. & SIBL Investment Ltd. Targeting poverty, SOCIAL ISLAMI BANK LTD, is indeed a concept of 21st century participatory three sector banking model in one.

It has a Non-formal banking sector too with informal finance and investment package that empowers and humanizes real poor family and create local income opportunities and discourages internal migration.

SIBL has set its strategy to convert all its banking activities from traditional branch-based banking system to an ideal blending of both centralized processing unit (CPU) and effective operation of branch that is based on modern essence of banking.

1.5 Report Layout

The report is arranged as Follows-Chapter-1 introductory chapter gives why I choose internship. Chapter-2 overview of Sonali Bank Limited. What kind of IT services they provide to clients & roles in job market in Bangladesh and Networking System of the it sectors? Chapter-3 is about my training and performed tasks. Chapter-4 problems and solutions. Chapter-5 Conclusion & future scope.

CHAPTER 2

ORGANIZATION

2.1 Introduction

The SOCIAL ISLAMI BANK LTD (SIBL), a second-generation commercial bank, operating since 22nd November, 1995 based on Shariah' Principles, has now 135 branches all over the country with two subsidiary companies - SIBL Securities Ltd. & SIBL Investment Ltd. Targeting poverty, SOCIAL ISLAMI BANK LTD, is indeed a concept of 21st century participatory three sector banking model in one. In the formal sector, it works as an Islamic participatory commercial bank with human face approach to credit and banking on the profit and loss sharing. The Bank has taken a renewed drive aiming at consolidating its business in more focused areas covering SME and Agro-finance with emphasis on searching for alternative delivery channel under which SMS banking and mobile based remittance payment systems and by gradually introducing the same to disseminate the SIBL services to the doorsteps of the customers. The Bank has already introduced Internet Banking and launched some new products to strengthen its business. The products are Sonali Din, Sommridthir Sopan, Sonchoy Protidin, Swopner Shiri, Shukher Thikana, Sabuj Chhaya, Sabuj Shayanho, Subarnolata, Subornarekha, Sanchita etc. and Zameel ATM Debit card. .

2.2 Target Group

The mission of Social islami Bank Limited is to give high caliber of preparing on various courses to construct the profession of anybody in IT field, make well outline programming and top notch systems administration and equipment investigating arrangement. Social islami Bank Limited is such a Limited. It serves its customers and learners as a confided in partner, furnishing them with the unwaveringness of a business accomplice and the financial. We ensure that our customers and students have what they have to maintain their organizations and to

assemble their profession and in addition conceivable, with greatest productivity and unwavering quality.

Give benefits in understanding the concurred quality activities finished inside concurred time. Accomplishment of Key Performance Indicator (KPI) focuses for every division. Give high caliber of preparing and make this middle one of the best instructional hub on Bangladesh. Set up a coherent, adaptable, and responsive preparing foundation to rapidly decipher field preparing and instruction necessities into effortlessly available, usable, and compelling preparing materials.

Actualize a proficient, open, and predictable process for characterizing and setting up needs for IT preparing prerequisites. Make a procedure to encourage fast reaction to new or changing preparing needs inside any monetary year. Distinguish the necessities, which can't be met because of asset restrictions or increases to preparing needs, and raise them to senior administration. Set up a viable assessment procedure to guarantee students is receiving the proposed rewards of preparing. Include nearby administrators in surveying the effect of preparing on work execution and giving criticism to the Team. [1]

2.3 SWOT Analysis of Social islami Bank IT Department

Strengths

- Customer service / support
- Flexibility
- Dedicated, enthusiastic staff
- Web development services

Negative

- Staffing levels
- Funding model for IT
- Lack of strategic planning
- Lack of service level agreements
- Technology training

Opportunities

- Economies of scale
- Cloud computing
- Integration of systems
- Wireless

Threats

- Hostile security environment
- More device to support
- Funding levels of priorities

2.4 Organizational Structure

A PC organize is the association of PC frameworks (equipment and programming) and extras with the end goal of asset sharing and simplicity of correspondence. A PC system can be sufficiently vast to suit a huge number of PCs and adornments (Internet) it can likewise be as little as 2 PCs. In the meantime, a neighborhood is a kind of PC organize that is bound to a restricted geological. The quantity of PCs in a LAN can be only 2 and can likewise be as much as a couple of hundreds (now and again thousands). Fundamentally, making an association (with a link, Bluetooth, Wi-Fi) between two PC gadgets characterizes a PC arrange. A system is fundamentally an arrangement of at least two articles that are connected so the PCs can share assets, for example, printer, programming and web association. Arranged PCs can likewise share records without transferring information utilizing circle of information key. What's more, clients of arranged PCs can likewise impart electronically without utilization of the web. PC inside a system can be connected a few ways: however, links, phone lines, satellites, radio waves, or infrared shafts.

2.4.1 Setup Process of IP address

IP (Internal Protocol) address is the 4 octets (32-bit) deliver used to distinguish your desktop PC, scratch pad, switch, switch, or other system gadgets in your system or web. It's additionally called as IPv4 (web convention adaptation 4). IP deliver is appointed to arrange card on your

desktop PC or journal to speak with other system gadget. Every IP octet can be the incentive in the vicinity of 0 and 255, yet a few standards exist for guaranteeing IP addresses are legitimate.

Here are well ordered guidelines demonstrating to set IP address and other system data.

Step 1: Go to begin and tap on control board.

Step 2: Control board window will seem double tap on organize associations.

Step 3: Network associations window will seem acceptable snap remedy Local range association by distinguish amend arrange card record card and snap properties.

Step 4: Select inward convention (TCP/IP) tap on properties.

Step 5: Now click utilize the accompanying DNS server address and physically set favored DNS server at that point.

The accompanying figure demonstrates the setup of IP address in the framework naturally.

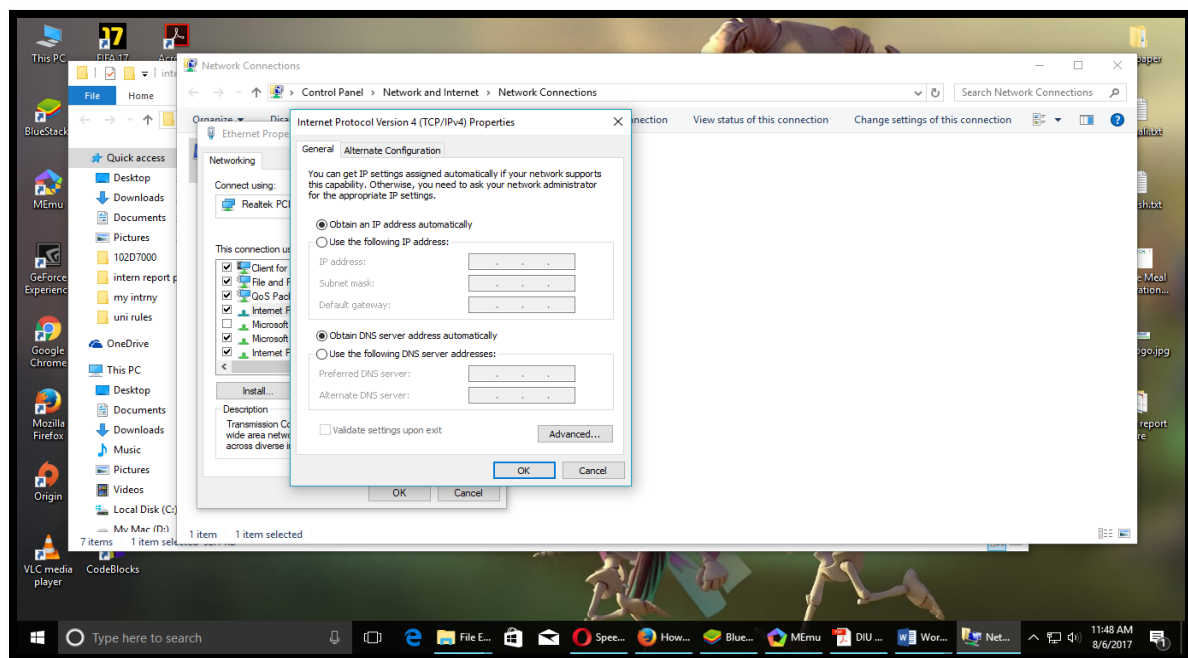


Figure: 2.4.1(A): Setup IP Address

The above figure demonstrates the way an IP address is gotten naturally into the framework's system. So we don't need to put the IP address physically of our own. It enables when we to have different pc or portable PCs to interface with the system. The accompanying figure demonstrates the means of setup of IP address into the framework physically.

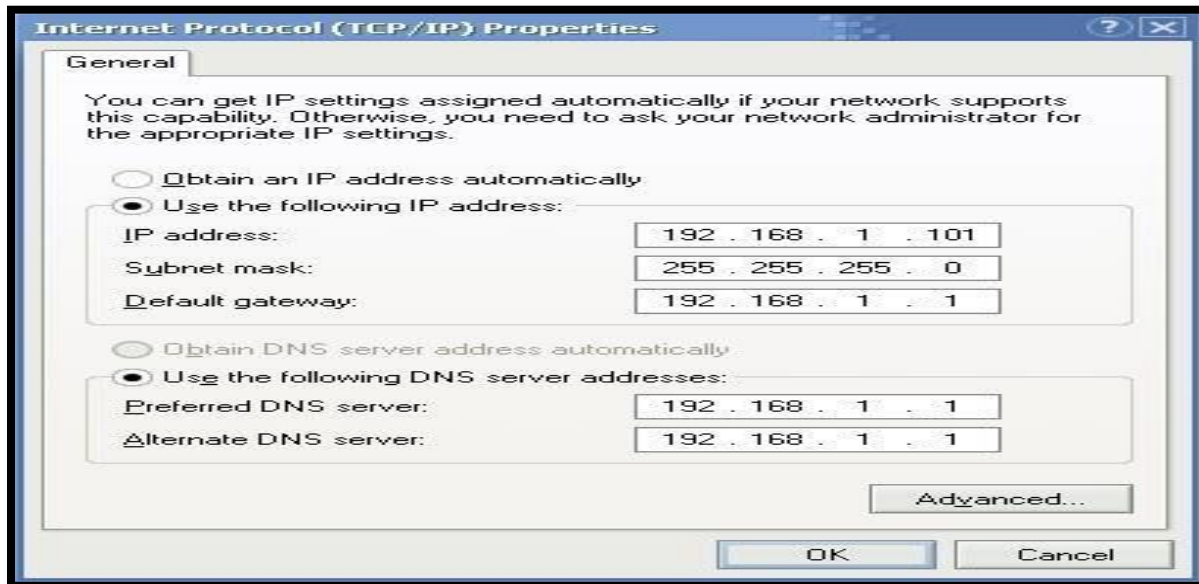


Figure 2.4.1(B): Setup IP Address Manually

The above figure demonstrates the way an IP deliver is acquired physically to the system. It is required when we have only a couple of number of pc or gadgets to set. It is troublesome and extremely time expensive on the off chance that we have different pc or gadgets to interface with the system.

2.4.2 Network Devices

Router

A switch generally interprets organize parcels starting with one system then onto the next. As it were it gets data from the web, and exchanges it to the correct beneficiary on the LAN. Here the switch utilized has the capacity of executing the versatile security machines (ASA) abilities and other security approaches.[2]

Switch

A switch does nearly a similar employment the switch. It conveys parcels to peripherals. Yet, in particular it fills in as a focal association point for links from workstations, different switches and so forth. Remote ACCESS POINT: The remote get to point fills in as an augmentation of the LAN to gadgets that can't interface with the system by the utilization of links. The WAP turns into the piece of the system that guests are permitted to interface with restricted security yet with some security as well. Links: The links to be utilized here would be significantly, the unshielded bent match (CAT5 UTP) on account of its speed, and moderately minimal effort and in addition unwavering quality. On the off chance that there would be a requirement for running links remotely (uncovered) at that point the protected CAT5 turned match links would be utilized. The RJ45 would be utilized as a part of ending the links. [2]

Bridge

On the off chance that a switch interfaces two distinct sorts of systems, at that point an extension associates two subnetworks as a piece of a similar system. You can consider two distinct labs or two unique floors associated by an extension. [2]

Repeater

A repeater is an electronic gadget that enhances the flag it gets. In different terms, you can consider repeater a gadget which gets a flag and retransmits it at a more elevated amount or higher power with the goal that the flag can cover longer separations. [2]

Network Hub

System Hub is a systems administration gadget which is utilized to interface different system has. A system center point is additionally used to do information exchange. The information is moved as far as bundles on a PC arrange. So when a host sends an information bundle to a system center point, the center duplicates the information parcel to the majority of its ports associated with. Like this, every one of the ports think about the information and the port for whom the parcel is expected, claims the bundle.[2]

2.4.3 Dynamic Routing

I have worked on 2 Dynamic Routing protocols- RIP, OSPF.

2.4.3.1 Routing Information Protocols (RIP)

The Routing Information Protocol (RIP) is one of the most established separation vector steering conventions which utilize the bounce consider a directing metric. Tear forestalls steering circles by executing limit on the quantity of bounces permitted in a way from source to goal. The greatest number of bounces took into consideration RIP is 15, which restricts the span of systems that RIP can bolster. A jump checks of 16 is viewed as a limitless separation and the course is viewed as inaccessible. Tear executes the split skyline, course harming and hold down systems to keep mistaken directing data from being proliferated. Initially, each RIP switch transmitted full updates at regular intervals. In the early organizations, steering tables were sufficiently little that the activity was not critical. As systems developed in measure, notwithstanding, it wound up plainly clear there could be a gigantic activity burst at regular intervals, regardless of the possibility that the switches had been introduced aimlessly times.

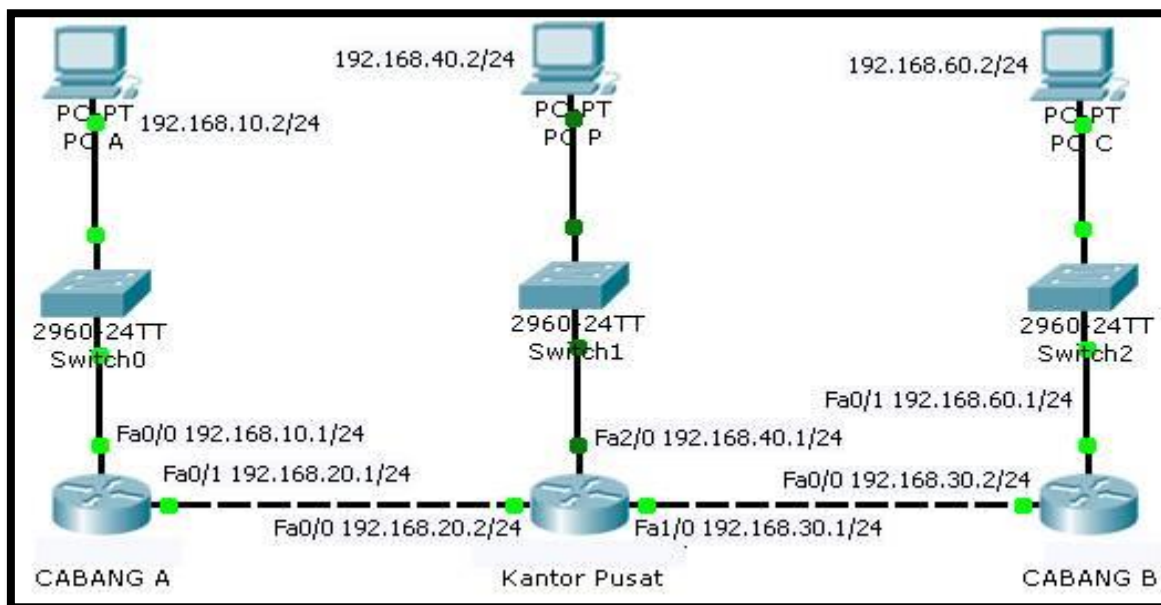


Figure 2.4.3.1: Routing Information Protocol

In most systems administration conditions, RIP is not the favored decision for directing as its opportunity to join and adaptability are poor contrasted with EIGRP, OSPF, or IS-IS. Notwithstanding, it is anything but difficult to arrange, on the grounds that RIP does not require any parameters not at all like different conventions.

2.4.3.2 Open Shortest Path First (OSPF)

Open Shortest Path First (OSPF) is an Interior Gateway Protocol (IGP) standardized by the Internet Engineering Task Force (IETF) and commonly used in large Enterprise networks. OSPF is a link-state routing protocol providing fast convergence and excellent scalability. Like all link-state protocols, OSPF is very efficient in its use of network bandwidth. Cisco is an active member of the OSPF working group at the IETF, and is responsible for many of the ongoing enhancements to the protocol.

Single-area OSPF

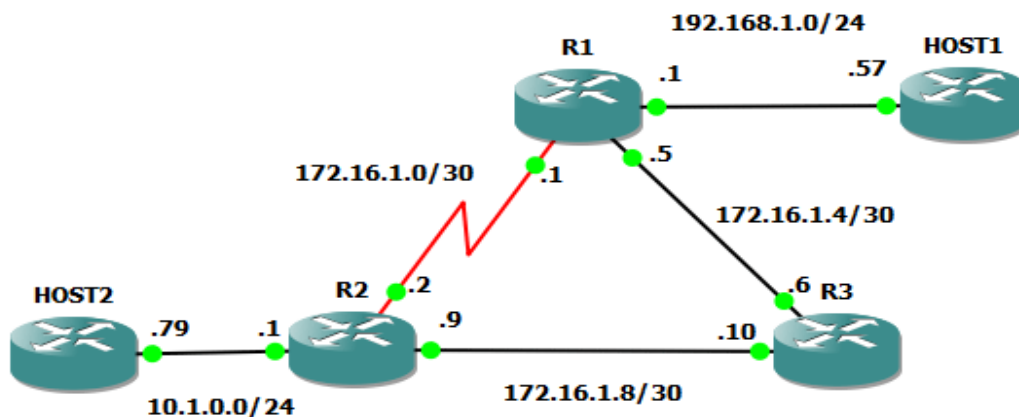


Figure 2.4.3.2: Open Shortest Path First (OSPF)

The configuration will be simple, just how to enable OSPF and advertise networks so that every point inside our network can be pinged. After that we'll configure a Loopback interface to simulate ISP connection and advertise that route through our network. [5]

2.4.3.3 Virtual Local Area Network (VLAN)

A virtual LAN (VLAN) is any communicated space that is parceled and disengaged in a PC organize at the information connect layer (OSI layer 2) VLANs permit arrange managers to gather has together regardless of the possibility that the hosts are not on a similar system switch.

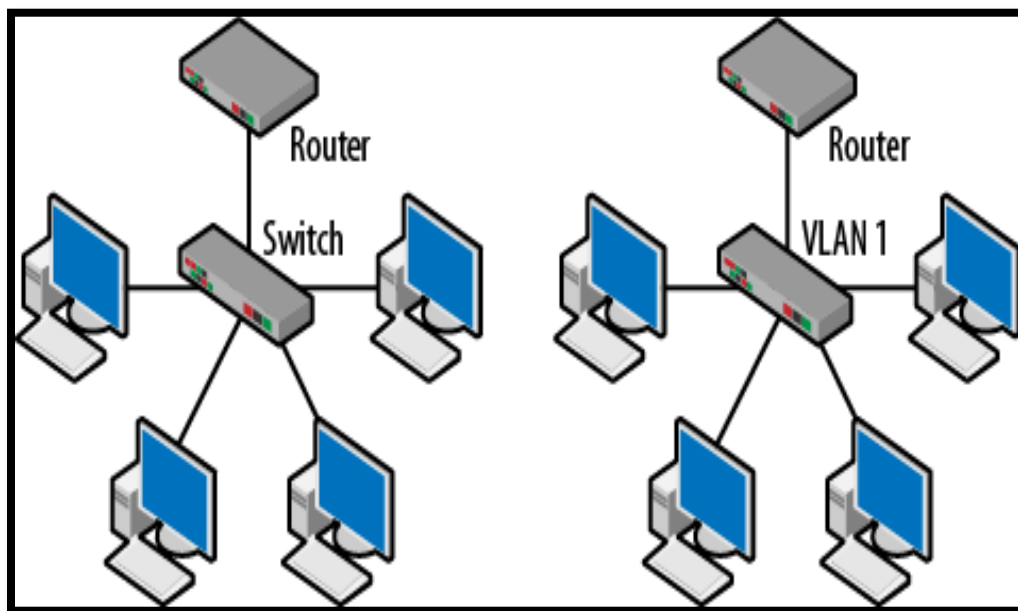


Fig-2.4.3.3: Virtual Local Area Network (VLAN)

The primary points of interest of the VLAN incorporates elite, disentangled system organization, security, ease and the making of the virtual gatherings to stay away from the impact and information misfortune in the system. VLAN controls the transmission capacity portions and gives the adaptability and simplicity of work to the clients. In the VLAN, the PCs don't should be physically situated at a similar place. In spite of the fact that it is a consistent element it is made and arranged through the product.

Types of Virtual Local Area Network (VLAN)

There are two types of VLANs.

Frame Based VLANs

This sort of VLAN is utilized as a part of the Ethernet systems and it utilizes the edge labeling procedure. The two principle sorts of the edge labeling are ISL (Inter Switch Link) and IEEE 802.10. With the 802.10 models it is conceivable to send the VLAN in the Ethernet as well as in the Token arena and FDDI.

Cell Based VLANs

This kind of the VLAN is utilized as a part of the ATM systems with LAN copying otherwise called LANE. Path permits the PCs in the LAN section to convey by utilizing the ATM systems without requiring uncommon equipment or programming designs.

Virtual Local Area Network (VLAN) Classifications

Virtual Local Area Network (VLAN)

Can be ordered into the accompanying sorts. Layer1 VLAN depends on the ports that has a place the VLAN. Layer2 VLAN It depends on the MAC address of the PC. Layer2 VLAN is likewise in view of the convention sort. Layer3 VLAN depends on the layer3 header. The IP address and the subnet veil are utilized to decide and characterize the VLAN participation. [4]

CHAPTER 3

TASKS, PROJECTS AND ACTIVITIES

3.1 Daily Tasks and Activities

My daily tasks were-

- Windows setup.
- Driver Disk setup.
- Network Troubleshooting.
- Making wires and check connections.
- Implementing Routing Protocols.
- Making Ethernet Cables (RJ45)

3.2 Events and Activities

3.2.1 Making Ethernet Cables

An Ethernet link is a standout amongst the most mainstream types of system link utilized on wired systems. Ethernet links interface gadgets together inside a neighborhood, similar to PCs, switches, and switches. Given that these are physical links, they do have their confinements, both out there that they can extend and still convey legitimate signs, and their sturdiness. This is one reason there are distinctive sorts of Ethernet links; to play out specific errands specifically circumstances.

3.2.2 What an Ethernet Cable Looks Like

There's a photo of a couple of Ethernet link closes on this page. It looks like a telephone link yet is bigger and has more wires. The two links share a comparative shape and fitting however an Ethernet link has eight wires and a bigger attachment than the four wires found in telephone links.

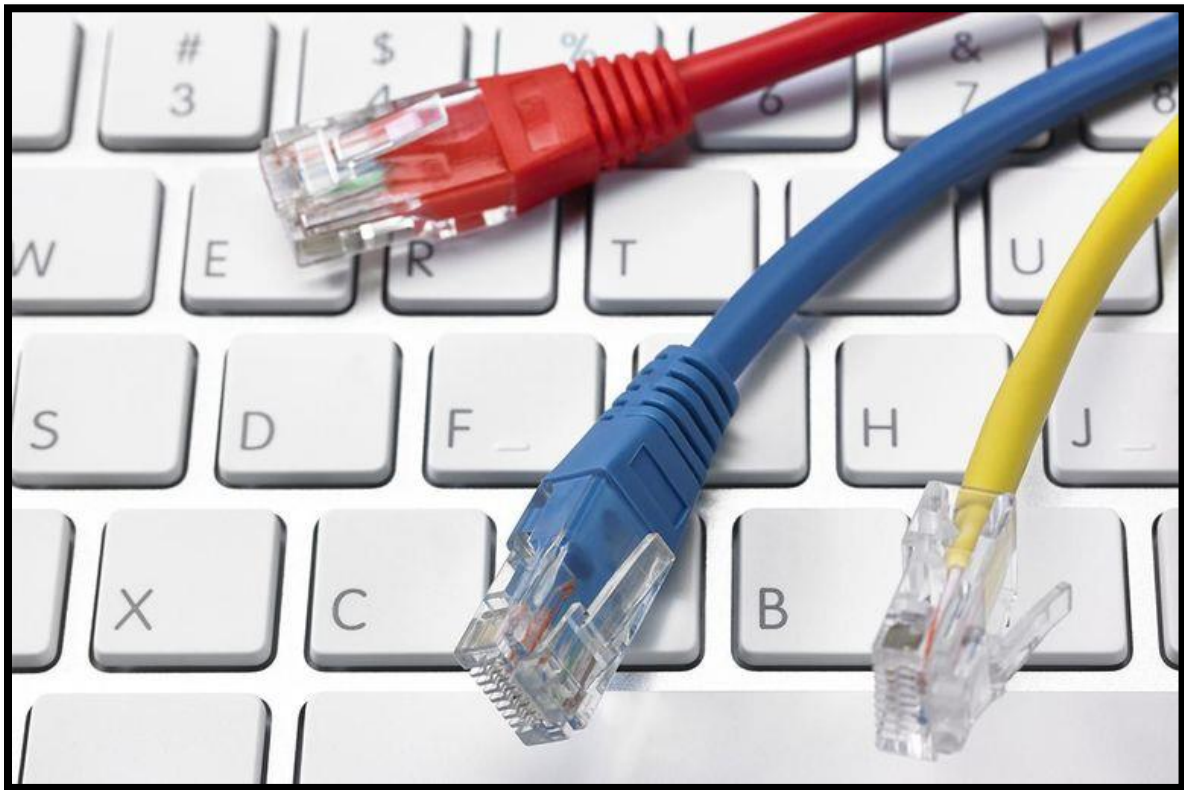


Figure 3.2.2: Ethernet Cable

Ethernet links obviously connect to Ethernet ports, which once more, are bigger than telephone link ports. An Ethernet port on a PC is open through the Ethernet card on the motherboard. Ethernet links come in various hues however telephone links are normally quite recently dim.

3.2.3 Types of Ethernet Cables

Ethernet links ordinarily bolster at least one industry principles including Category 5 (CAT5) and Category 6 (CAT6). A hybrid link is an uncommon sort of Ethernet link extraordinarily intended for interfacing two PCs to each other. By differentiate, most Ethernet links are intended to interface one PC to a switch or switch. Ethernet links are physically made in two fundamental structures called strong and stranded. Strong Ethernet links offer somewhat better execution and enhanced assurance against electrical obstruction. They're likewise more normally utilized on business systems, wiring inside office dividers, or under lab floors to settle areas Stranded Ethernet links are less inclined to physical splits and breaks, making them more appropriate for explorers or in home systems administration setups.

3.2.4 Limitations of Ethernet Cables

A solitary Ethernet link, similar to an electric power rope, has a restricted greatest separation limit, which means they have a furthest point of confinement to what extent they can be before flag misfortune (called lessening) happens. This is because of their electrical transmission attributes and is straightforwardly influenced by impedance around the link. The two finishes of the link ought to be sufficiently close to each other to get flags rapidly, yet sufficiently far from electrical obstructions to dodge interferences. In any case, this by itself doesn't restrain the extent of a system since equipment like switches or center points can be utilized to combine numerous Ethernet links inside a similar system. This separation between two gadgets is known as the system distance across. The most extreme length of a solitary CAT5 link, before constriction happens, is 324 feet. CAT6 can go up to around 700 feet. Remember that Ethernet links can be longer however they may experience the ill effects of flag misfortune, particularly if there are other electrical apparatuses that the link cruises by.

Note

Ethernet link length is somewhat extraordinary in case you're discussing slender, 10 base 2, or thick, 10 base 5 links. The previous ought to be no longer than 600 feet while the last link sort ought to have the capacity to achieve lengths of around 1,640 feet. Additionally, think about that

as a short link may experience the ill effects of reflection. Nonetheless, a few clients have detailed no issues with link lengths as low as even 4 inches. A few distinct sorts of RJ-45 connectors exist. One write, intended for use with stranded links, for the most part is incongruent with strong links. Different sorts of RJ-45 connectors may work with both stranded and strong links. See [Is It Safe to Run Ethernet Cables Outdoors? In case you're needing.](#) [9]

3.3 Project Task and Activities

There was a project to design a network system of social islami bank Limited using OSPF. The previous network system was designed using Static and RIP Routing Protocol. My activities were to implement the whole network in OSPF Routing Protocol and set the IP addresses into the system's network.

3.4 Challenges

The investigation found the best five territories that present the most squeezing challenges for IT experts:

3.4.1 Improving and Securing Business Esteem:

Aligning and incorporating IT chance administration and business coherence abilities with more extensive, long haul business technique.

3.4.2 Cybersecurity

Managing and reinforcing security and protection for the association's frameworks and information is currently a best need over all ventures.

3.4.3 Information order

Effectively sorting out, overseeing and securing developing measures of information inside the association.

3.4.4 IT Resource and Information Administration

Improving information and data administration programs, driven by the developing utilization of cell phones and applications and the proceeded with reconciliation of distributed computing into IT methodology and procedures.

3.4.5 Versatile Stages and Online Networking

Incorporating secure, coordinated frameworks for portable business, gadgets, and so on., and tending to web-based social networking protections and methodology inside the association.

3.4.6 Explosion of Flexible Working

This universality was in a general sense changed by various variables, most noticeably the ascent of the homemaker – and the upset in the speed and dependability of economically accessible web associations. Late decades have seen a basic move in the path in which we work. With the expanded unwavering quality and speed of home systems, numerous associations have seen (and effectively energized) a blast in adaptable working. To an ever increasing extent, representatives are signing in at home, at their neighborhood bistro, on trains and in airplane terminals. Accordingly, the bounce from running a huge VPN for homeworkers and extending it to incorporate little satellite workplaces – or even real workplaces – is not as noteworthy as it once might have been. Properly, numerous associations have experienced essential moves in their systems administration methodology, inclining increasingly on the energy of general society Internet and less on a customary private system arrangement.

CHAPTER 4

COMPETENCIES AND SMART PLAN

4.1 COMPETENCIES EARNED

My main goal of internship is to gain knowledge and competence in hardware and networking related problem and finding the solutions. I have practiced and learned about both in hardware and network related works.

- **Problem 1: Connection closed by remote host**

A client has set up an association with a remote host, and the association closes before the client logs out.

Cause

This more often than not happens in light of the fact that the remote host played out a shutdown and separated the association, or the client procedure for the related daemon was ended.

Solution

Utilize the ping charge to decide if the host is running. Decide if the remote host is around reaching the host organize overseer. In the event that the host is not down, utilize telnet to restore the association.

- **Problem 2: Connection timed out**

Solution

On the off chance that you speculate that the remote host or system is down, contact the system head for the host and demand the host status.

- **Problem 3: Login incorrect**

Solution

- Set up the/and so forth/hosts.equiv or \$HOME/.rhosts record effectively with the goal that the client is not incited for a watchword.
- Users must know their substantial records and passwords on the remote hosts.

Problem 4: PC does not begin by any stretch of the imagination

Solution

This is one of the techniques to investigate PC equipment issues that can either be exceptionally basic or can go route past your capacity to settle. The arrangement might be as basic as supplanting the power link with new one or as muddled as managing the SMPS of the PC framework. The SMPS is the Switched Mode Power Supply, the case at the upper left hand corner of your CPU, which control up every last part in your PC. In the event that the issue lies with the SMPS, at that point illuminating it is not one of the DIY assignments that you might want to take up at home. It will require great specialized skill to take care of the issue. Numerous a times, the issue may have only one arrangement that is supplanting your PC's SMPS.

- **Problem 5: PC Freezes or close Down Suddenly.**

Solution

A large portion of the circumstances this is an issue identified with warm issues. In the event that PC processor gets warmed up thin quite possibly your PC may close down. The reasonable justification for this issue is that the fan in your CPU id not working legitimately. Here, we are expecting that you are utilizing a desktop PC as investigating a tablet phone, obviously require a considerable measure of ability. You can make out whether the fan is pivoting legitimately by basic watching it at the back of your CPU. There are likewise sure in screen framework programs which can indicate whether your PC processor is over warmed or not if your fan is not turning easily, at that point need to get the associations with your fan checked. Another progression that you can take is that you have to watch if the BIOS can appropriately stack the when beginning off the PC. Nonetheless, in the event that you discover that your PC

reestablishes back to working appropriately then you should think about any new equipment that you had added to the framework. Take a stab at evacuating that and look at if the PC reestablishes back to working legitimately. There are chances that this equipment might be broken. Supplanting another equipment with this. Again on the off chance that you have not added new PC equipment to your framework as of late then the reason might be some PC equipment part that is now there in your PC. Open your CPU bureau and expel any additional RAM or additional hard circle that you are utilizing. Look at if your PC works legitimately without that specific segment. You can likewise take a stab at detaching your MODEM to check if the PC works legitimately.

- **Problem 6: Computer Boot Up Only CD Drive.**

Solution

Before going into the troubleshooting part and considering the hard disk to be corrupt, figure out in the BIOS setting if your hard disk had been given the first priority for booting up. If it has not been given the priority, then change the priority level and put your hard disk at the first priority level. If you have a recovery or backup system in your computer, then use it for recovering the data and the operating system.

- **Problem 7: Computer Screen is Sideways.**

Solution

Some computer monitors can be rotating, so there are video cards which support that rotation. For example, web design and artists use rotating wide screen monitors to look at long pages. To turn ON this feature, you probably pressed CTRL+ALT+Left Arrow. To turn OFF, simply press CTRL+ALT+up Arrow instead.

- **Problem 8: My wired mouse cursor won't move.**

Solution

One of the most common error messages comes when you're trying to boot up your computer. If you get a message when you try to boot up your system: Make sure that your connection is

secure. Check to find and then remove any floppy disks from drives. Start up again. Error messages are usually pretty self-explanatory but if you encounter one that you don't understand, check the troubleshooting section of the owner's manual or software guide.

4.2 Smart Plan

4.2.1 Operating System Upgradation

Because of dishonorable treatment of gadgets (Router and Switch) OS defiles. Gadgets are checked and OS redesigned. On the off chance that it's not upgradeable sent to the sellers.

4.2.2 Network Failure

Here and there arrange disappointment happens. At that point issues are found through investigating and take care of the issue.

4.2.3 Cable Damage

Sometimes cables damages or doesn't work or disconnected somehow. Checking the cable connections properly or changing the cable are the only way to solve the problem.

4.2.4 IP Mismatch

Somehow IP mismatches and cannot connect with the router or switch. Then regenerate the IP into the device and solve the problem.

4.3 Reflections

Prior to my entry level position, I had just hypothetical learning of systems administration gadgets, different conventions and equipment. In any case, amid my temporary job I have learned and had a few hands on routine with regards to PC equipment and system gadgets. Presently I can without much of a stretch outline a system framework and furthermore can actualize the entire system. Amid my temporary position I have learnt to plan a system utilizing Open most brief Path Fast steering convention. Beforehand the entire system was composed in static directing.

CHAPTER 5

SUMMARY AND FUTURE SCOPE

5.1 Summary

Practicing in real life fulfils any kind of education. Me joined at IT Bangla Limited and worked in there as a team as per our company's vision to enrich my knowledge about networking. I must say I learned many crucial things including small points during my internship period. It was a first time experience for me in a job with real life experience. I learned a lot about networking that will me in future.

5.2 Future Scopes

Computer networking is the backbone of the most important thing known as 'Internet'. IT-infrastructure and IT- Software go hand in hand. Both are equally important for making our lives easy. Networking is evergreen, it is only going to get bigger and more complex. But it is not very easy to enter as a fresher, but if I am passionate about it then I have to study and practice hard. Unlike software programming, where the job is more confined to simply coding this area demands hands-on or practical knowledge on multiple networking hardware, platforms, network protocols and more importantly problem solving skills.

REFERENCES

- [1] Find out about Social Islami Bank Ltd <https://www.siblbd.com/home/profile>, (Last accessed on 10th Mar, 2018).
- [2] Learn about networking devices, accessible at <https://www.slideshare.net/RAJESHADHUKHA01/computer-networking-devices-16572482> (Last accessed on 10th Mar, 2018).
- [3] Gather information of network types, accessible at <http://www.studytonight.com/computer-networks/types-ofnetworks> (Last Accessed on 10th mar, 2018).
- [4] Idea of VLAN, accessible at https://en.wikipedia.org/wiki/Virtual_LAN (Last accessed on 10th mar, 2018).
- [5] Idea of OSPF and picture accessible at <http://domagojsalopek.com/post/open-shortest-path-first> (Last accessed on 10th Feb, 2018).
- [6] Concept of RIP, accessible at <https://en.wikipedia.org/wiki/Rip> (Last accessed on 07th mar, 2018).
- [7] Learn about Ethernet cable, available at <https://www.lifewire.com/what-is-an-ethernet-cable-817548> (Last accessed on 20th Jan, 2018).

APPENDICES

APPENDIX A

INTERNSHIP REFLECTIONS

My internship period is 3 months. I am very glad that I choose internship and worked at the Social Islami Bank Limited in IT department. I think the experience in this area is a good preview of my career and future. I have learnt some important skills and find out something about myself. I have learned about the organization and also have a wide knowledge of job market, what kind of skills I need to compete in the job market. I have worked on my personal improvement including my theoretical and practical knowledge. I have practiced to improve my behavior and communication skill. I have observed the environment and also learn to cope with different atmosphere of work. Real life experience and practical knowledge are far more useful than having only theoretical knowledge. I had the opportunity to enhance my theoretical knowledge through practicing them in real life and implement them practically.

APPENDIX B

COMPANY DETAIL

The SOCIAL ISLAMI BANK LTD (SIBL), a second-generation commercial bank, operating since 22nd November, 1995 based on Shariah' Principles, has now 135 branches all over the country with two subsidiary companies - SIBL Securities Ltd. & SIBL Investment Ltd. Targeting poverty, SOCIAL ISLAMI BANK LTD, is indeed a concept of 21st century participatory three sector banking model in one. In the formal sector, it works as an Islamic participatory commercial bank with human face approach to credit and banking on the profit and loss sharing. It has a Non-formal banking sector too with informal finance and investment package that empowers and humanizes real poor family and create local income opportunities and discourages internal migration. The bank has another sector to monetize the voluntary sector and management of Waqf, Mosque properties and has introduced cash Waqf system for the first time in the history of banking. In the formal corporate sector, this Bank, among others, offers the most up-to-date banking services through opening of various types of deposit and investment accounts, financing trade, providing letters of guarantee, opening letters of credit, collection of bills, leasing of equipment and consumers' durable, hire purchase and instalment sale for capital goods, investment in low-cost housing and management of real estates, participatory investment in various industrial, agricultural, transport, educational and health projects and so on.

The Bank has taken a renewed drive aiming at consolidating its business in more focused areas covering SME and Agro-finance with emphasis on searching for alternative delivery channel under which SMS banking and mobile based remittance payment systems and by gradually introducing the same to disseminate the SIBL services to the doorsteps of the customers. The Bank has already introduced Internet Banking and launched some new products to strengthen its business. The products are Sonali Din, Sommridthir Sopan, Sonchoy Protidin, Swopner Shiri, Shukher Thikana, Sabuj Chhaya, Sabuj Shayanho, Subarnolata, Subornarekha, Sanchita etc. and Zameel ATM Debit card. . .